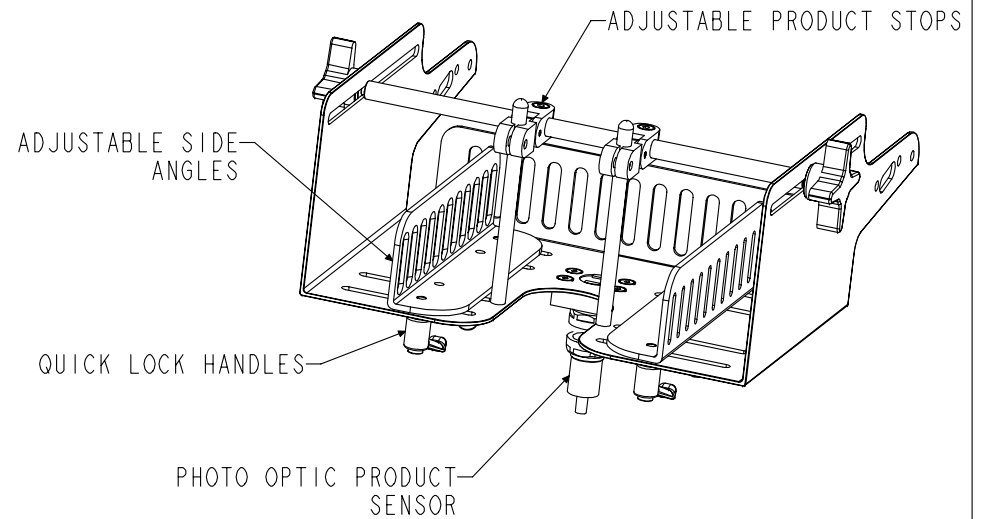
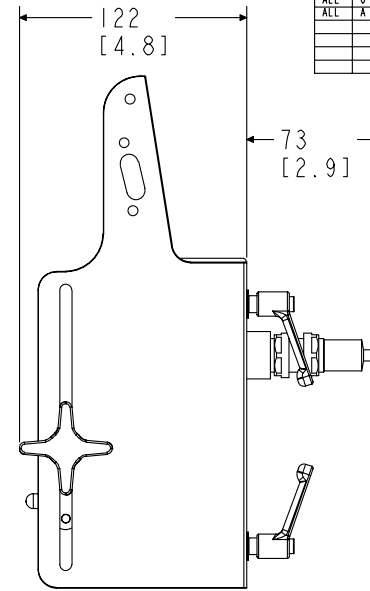
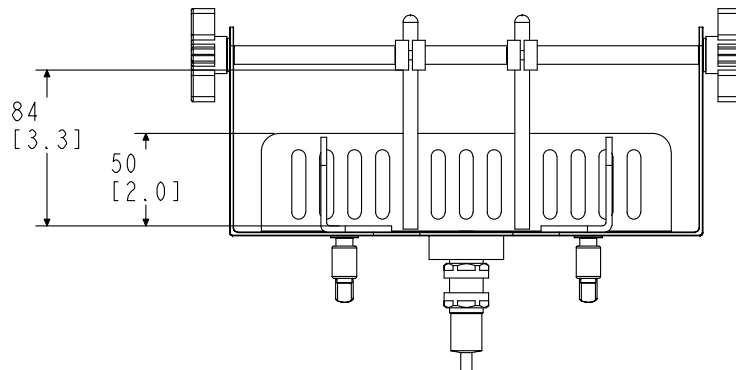
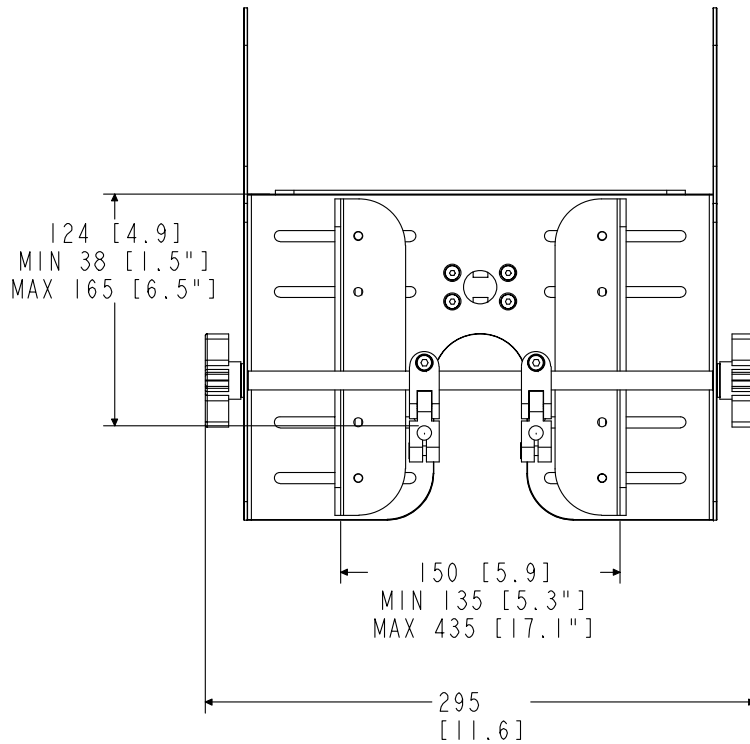


REVISIONS				
ZONE	REV	DESCRIPTION	DATE	DRAWN / APPROVED
ALL	1	ISSUED FOR REVIEW	12/03/98	A.V.
ALL	0	ISSUED FOR CONSTRUCTION	12/03/98	A.V.
ALL	A	MODIFIED LAYOUT	12/15/00	J.R./ A.V.



UNLESS OTHERWISE SPECIFIED, DIMENSIONS ARE IN MILLIMETERS TOLERANCES DECIMALS		Multifeeder Technology, Inc.	
.X	± 1.25 [0.05"]	St. Paul, Minnesota 55110	
.XX	± 0.25 [0.01"]	Phone 651.407.3100, www.multifeeder.com	
.XXX	± 0.05 [0.002"]	CT_250E	
ANGULAR: .X ± 2.5°, .XX ± 0.5°			
DRAWN: A.V.	DATE: 12/03/98	CHECKER: A.V.	DATE: 12/03/98
DESIGN: A.V.	DATE: 12/03/98	SIZE: C	DWG NO: 92252-0A
		SCALE: @_500	PER MACHINE SHEET: 1 OF 1

THIS DOCUMENT, SUBMITTED IN CONFIDENCE, CONTAINS PROPRIETARY AND CONFIDENTIAL INFORMATION WHICH SHALL NOT BE REPRODUCED OR TRANSFERRED TO OTHER DOCUMENTS OR DISCLOSED TO OTHERS OR USED FOR MANUFACTURING OR ANY OTHER PURPOSE, INCLUDING ADVERTISING WITHOUT PRIOR WRITTEN PERMISSION FROM A MULTIFEEDER TECHNOLOGY, INC. REPRESENTATIVE