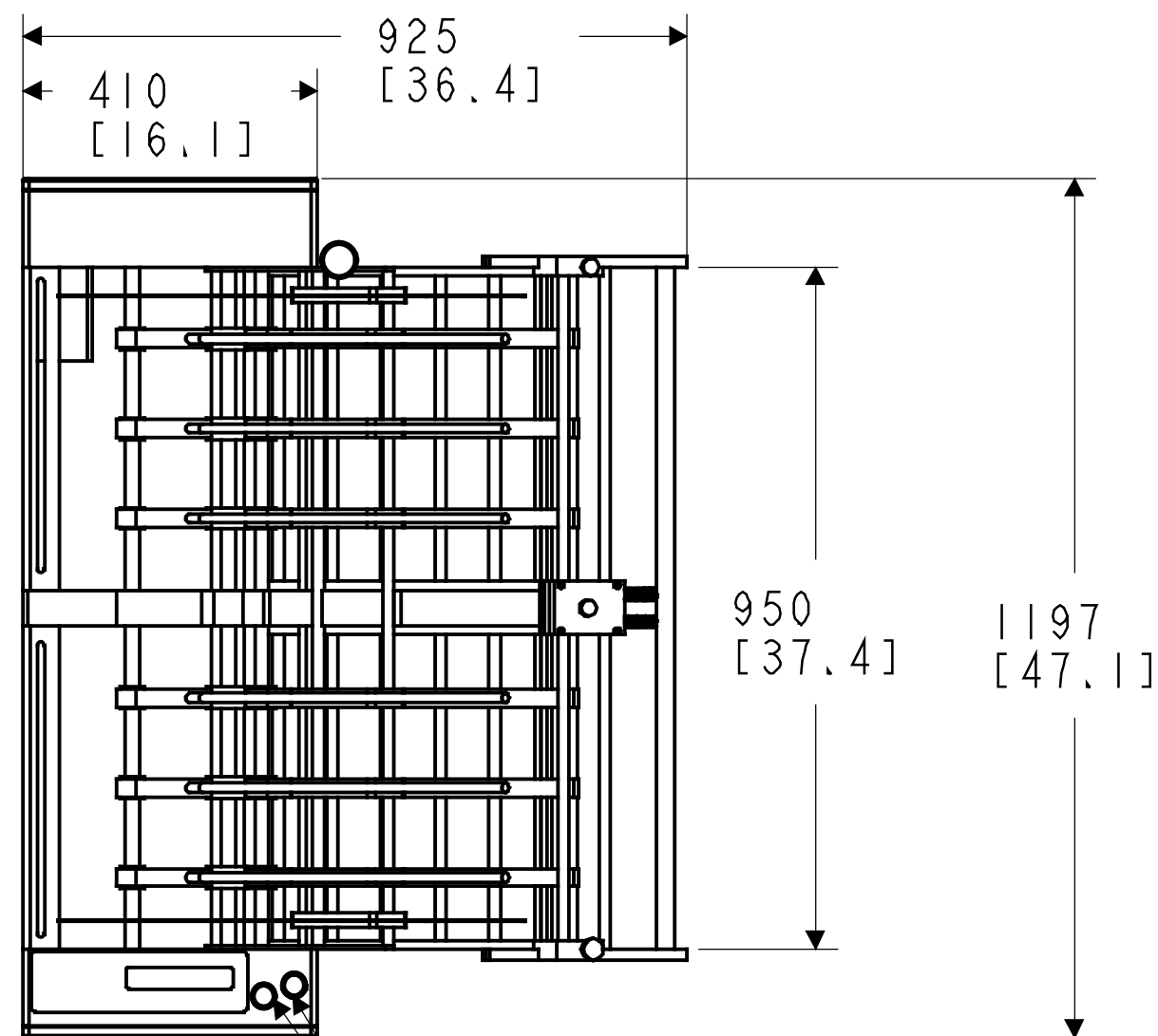


REVISIONS				
ZONE	REV	DESCRIPTION	DATE	DRAWN / APPROVED
ALL	1	ISSUED FOR REVIEW	08/18/04	J.R.
ALL	0	ISSUED FOR PRODUCTION	06/09/05	R.P./A.V.



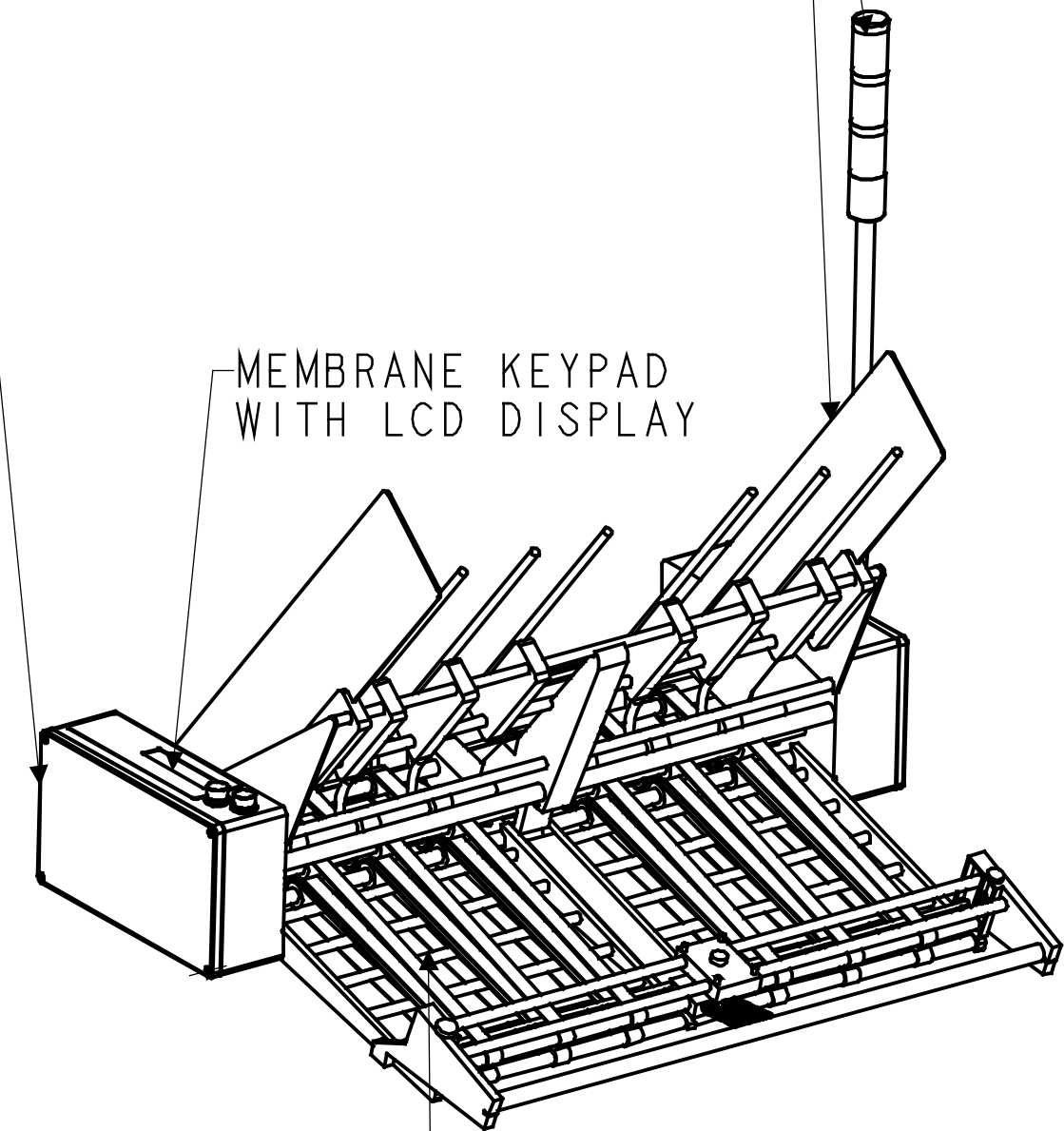
REAR SIGNAL INTERFACE:  
POWER ENTRY,  
START/STATUS,  
LOW PRODUCT,  
SERIAL, ETHERNET

FRONT SIGNAL INTERFACE:  
PRODUCT SENSORS,  
INTERLOCK,  
SIGNAL LIGHT,  
LINE SPEED ENCODER,  
SERIAL PORTS,  
PARALLELL PORTS

THREE COLOR SIGNAL LIGHT  
30" VERTICAL HEAVY DUTY  
PRODUCT MAGAZINE AND  
PRODUCT SUPPORT RODS  
WITH QUICK CHANGEOVER

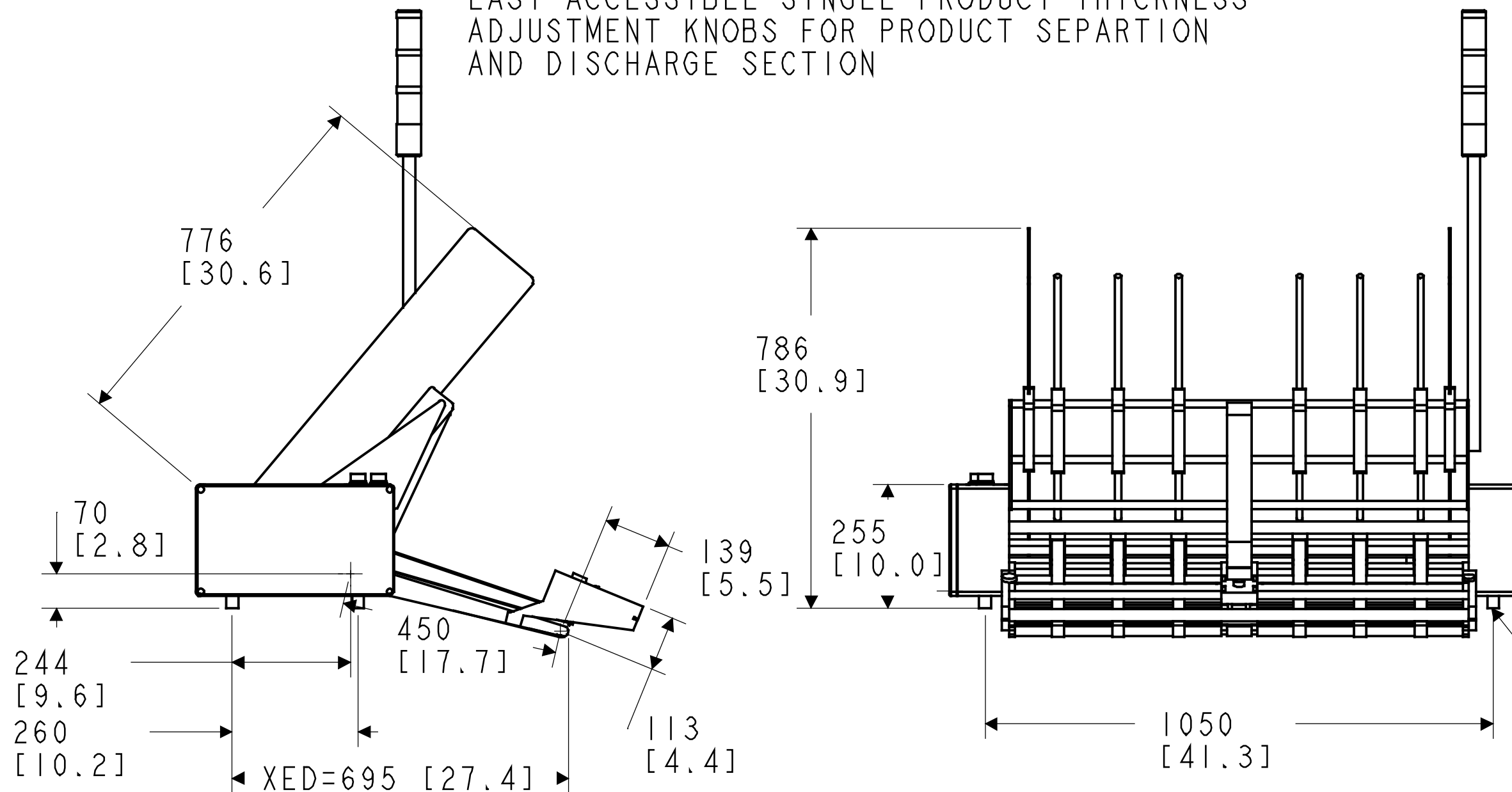
EASY ACCESSIBLE SINGLE PRODUCT THICKNESS  
ADJUSTMENT KNOBS FOR PRODUCT SEPARTION  
AND DISCHARGE SECTION

MEMBRANE KEYPAD  
WITH LCD DISPLAY



EASY ADJUSTMENT OF  
DISCHARGE ANGLE

(4) M8 BOLT HOLES



SD = 433 [17.1"] , ED = 524 [20.6]  
XLD = 912 [35.9"] , SLD = 1202 [47.3"]

THIS DOCUMENT, SUBMITTED IN CONFIDENCE, CONTAINS PROPRIETARY AND CONFIDENTIAL INFORMATION WHICH SHALL NOT BE REPRODUCED OR TRANSFERED TO OTHER DOCUMENTS OR DISCLOSED TO OTHERS OR USED FOR MANUFACTURING OR ANY OTHER PURPOSE, INCLUDING ADVERTISING WITHOUT PRIOR WRITTEN PERMISSION FROM A MULTIFEEDER TECHNOLOGY, INC. REPRESENTATIVE

UNLESS OTHERWISE SPECIFIED, DIMENSIONS ARE IN MILLIMETERS		<b>Multifeeder Technology, Inc.</b>	
TOLERANCES		St. Paul, Minnesota 55110	
DECIMALS		Phone 651.407.3100, www.multifeeder.com	
.X	± 1.25 [0.05"]	MFT9501PXED	
.XX	± 0.25 [0.01"]	DRAWN: R.P. DATE: 08/16/04	
.XXX	± 0.05 [0.002"]	CHECKED: A.V. DATE: 08/16/04	
ANGULAR:	.X ± 2.5°, .XX ± 0.5°	SIZE: C	DWG NO: 792002-00
DESIGN: A.V. DATE: 08/16/04		SCALE: 0.067	REV: 0
		Q PER MACHINE	SHEET 1 OF 1