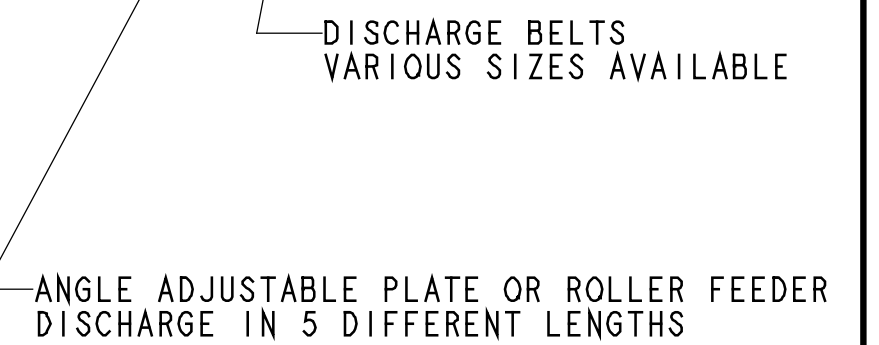
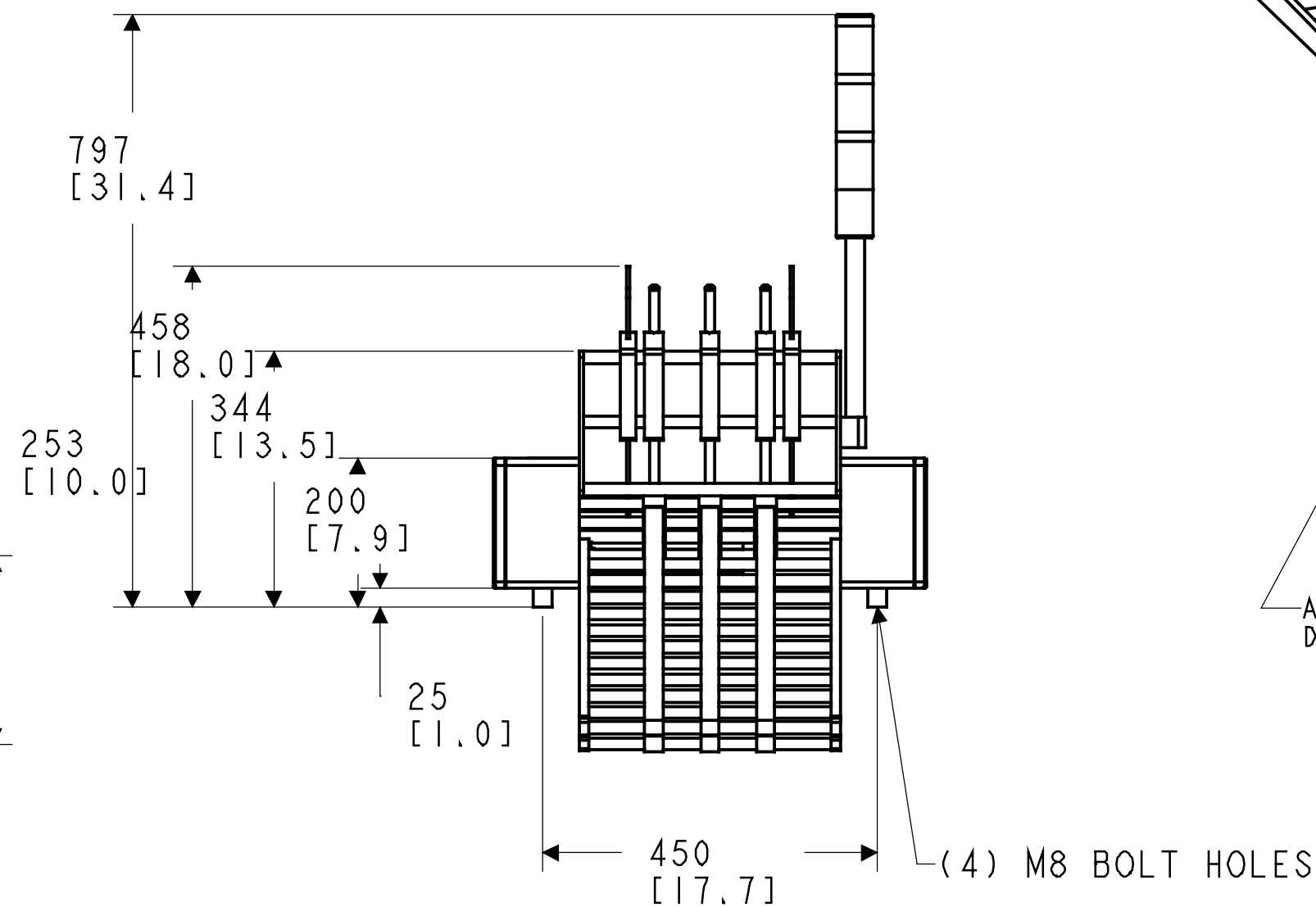
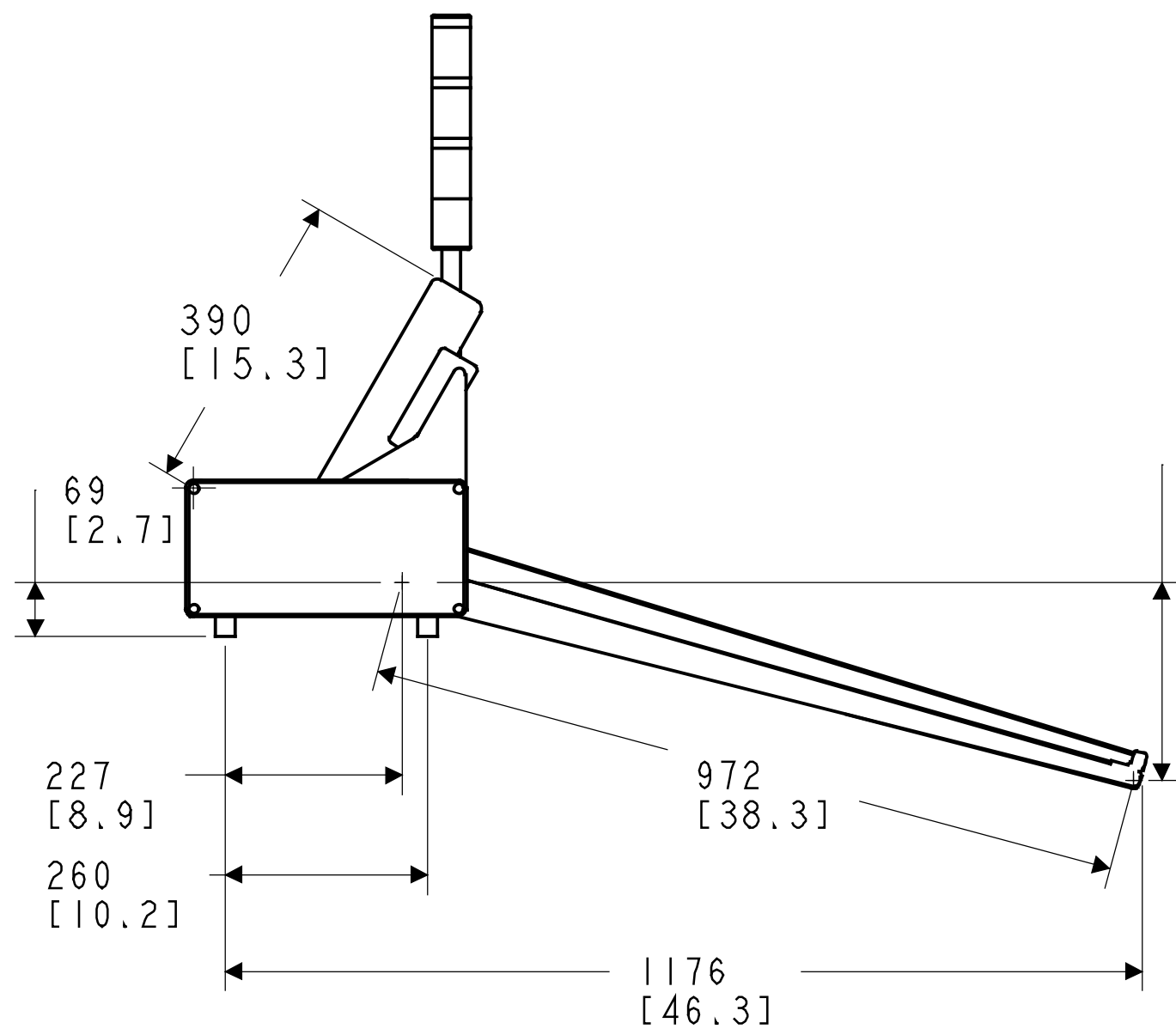
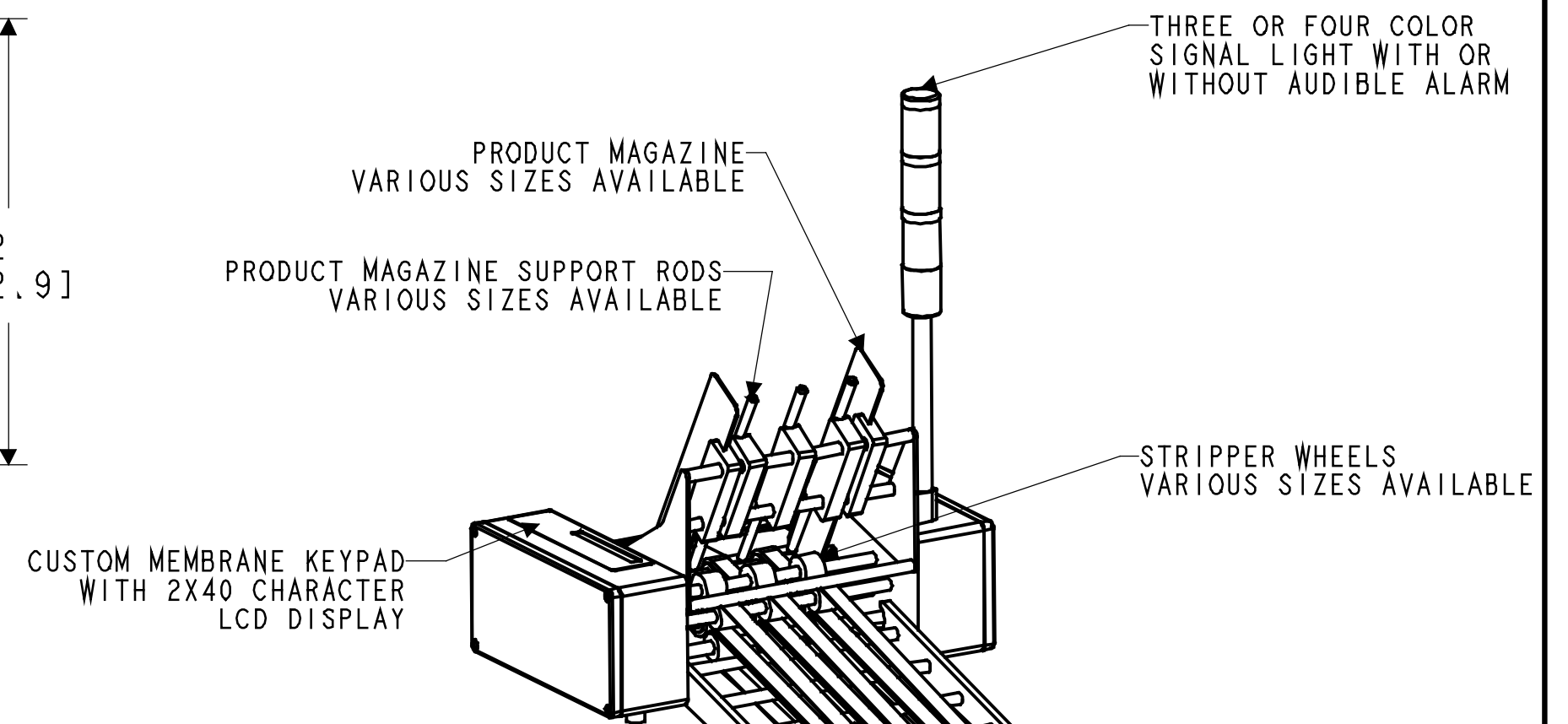
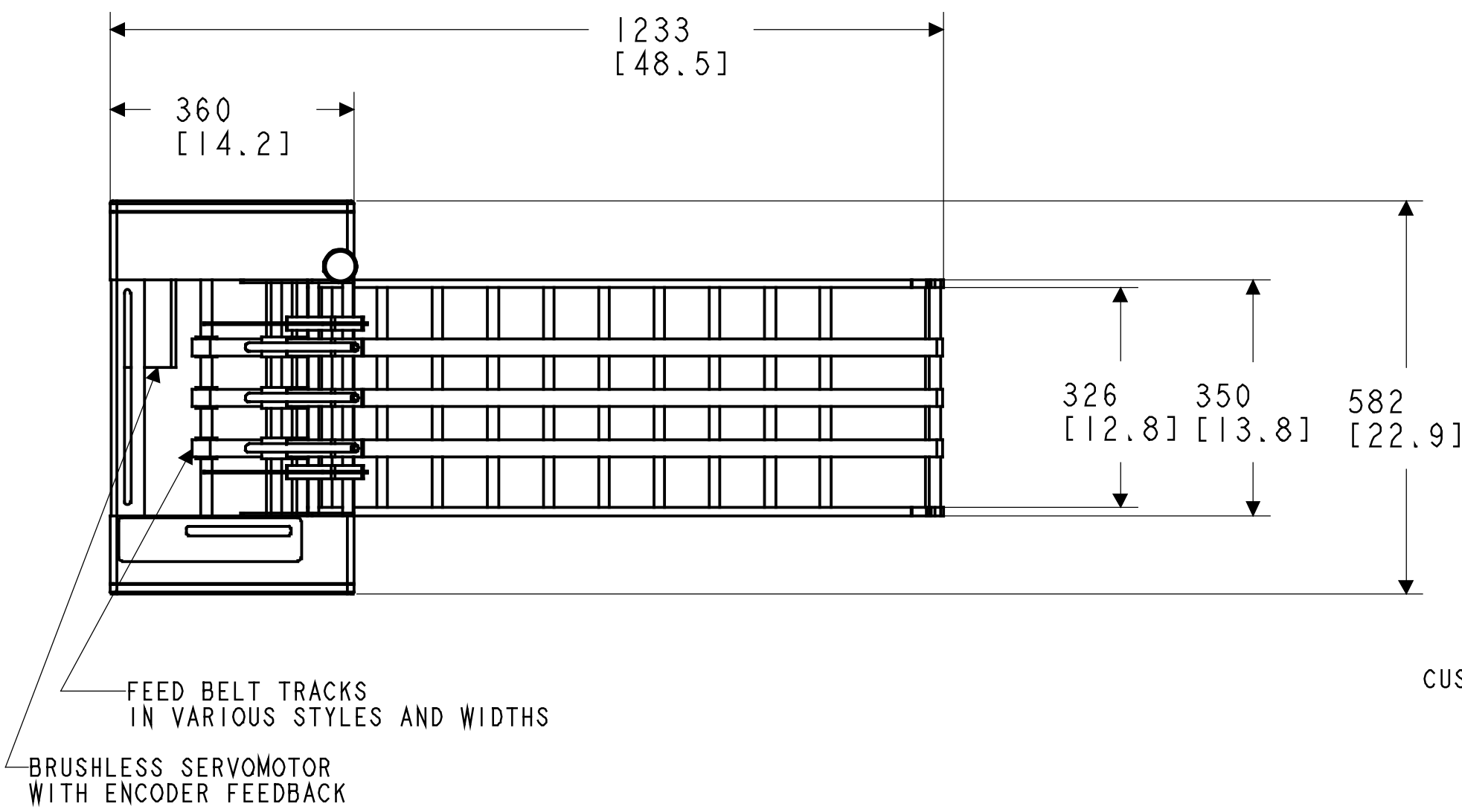


REVISIONS				
ZONE	REV	DESCRIPTION	DATE	DRAWN / APPROVED
ALL	1	ISSUED FOR REVIEW	12/23/02	J.R.
ALL	0	ISSUED FOR CONSTRUCTION	12/23/02	J.R. / A.V.
ALL	A	DIMENSIONS MODIFIED	07/27/05	R.P.



THIS DOCUMENT, SUBMITTED IN CONFIDENCE, CONTAINS PROPRIETARY AND CONFIDENTIAL INFORMATION WHICH SHALL NOT BE REPRODUCED OR TRANSFERRED TO OTHER DOCUMENTS OR DISCLOSED TO OTHERS OR USED FOR MANUFACTURING OR ANY OTHER PURPOSE, INCLUDING ADVERTISING WITHOUT PRIOR WRITTEN PERMISSION FROM A MULTIFEEDER TECHNOLOGY, INC. REPRESENTATIVE

UNLESS OTHERWISE SPECIFIED, DIMENSIONS ARE IN MILLIMETERS		Multifeeder Technology, Inc.	
TOLERANCES		St. Paul, Minnesota 55110	
DECIMALS		Phone 651.407.3100, www.multifeeder.com	
.X	± 1.25 [0.05"]	MFT350INTSLD	
.XX	± 0.25 [0.01"]	DRAWN: J.R. DATE: 12/23/02	
.XXX	± 0.05 [0.002"]	CHECKED: A.V. DATE: 12/23/02	
ANGULAR: .X ± 2.5°, .XX ± 0.5°		DESIGN: A.V. DATE: 04/08/98	SIZE: C
			DWG NO: 791135-0A
			REV: A
		SCALE: 0.180	SHEET 1 OF 1