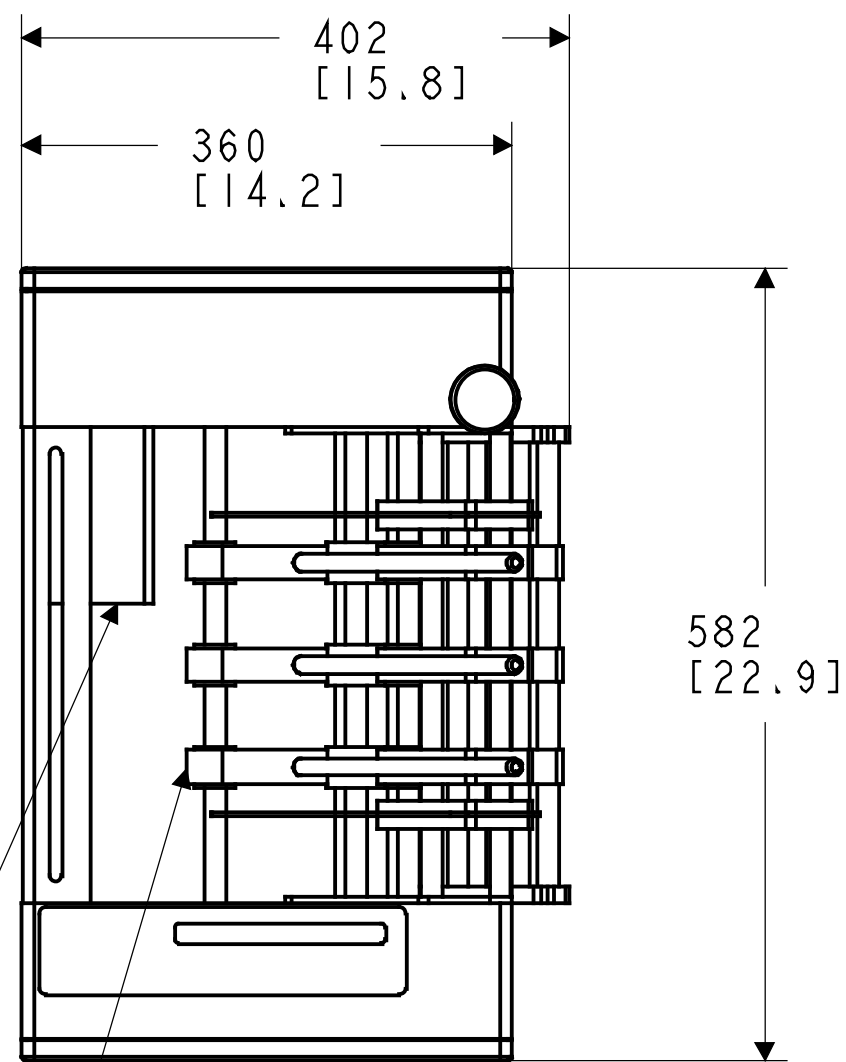
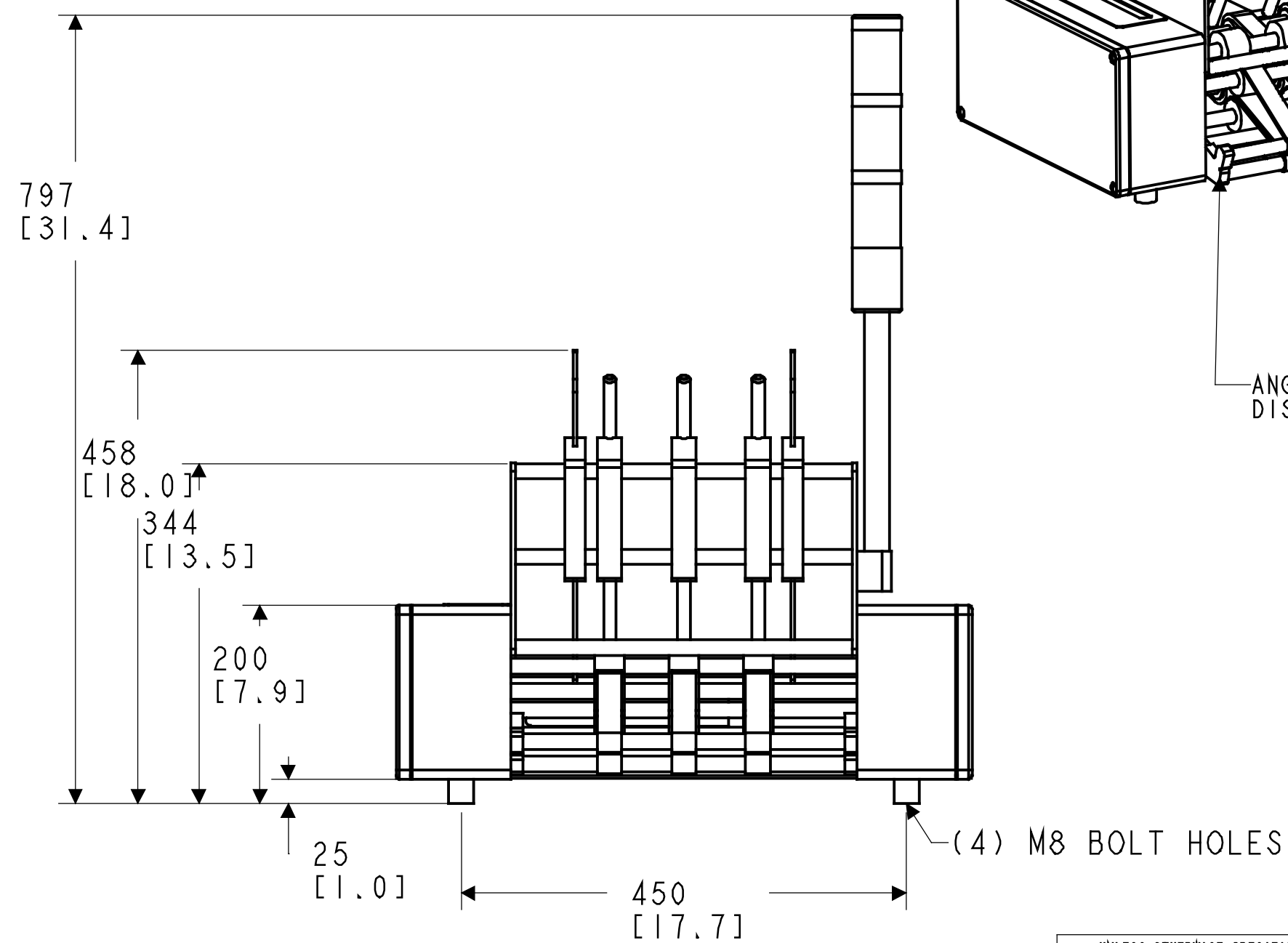
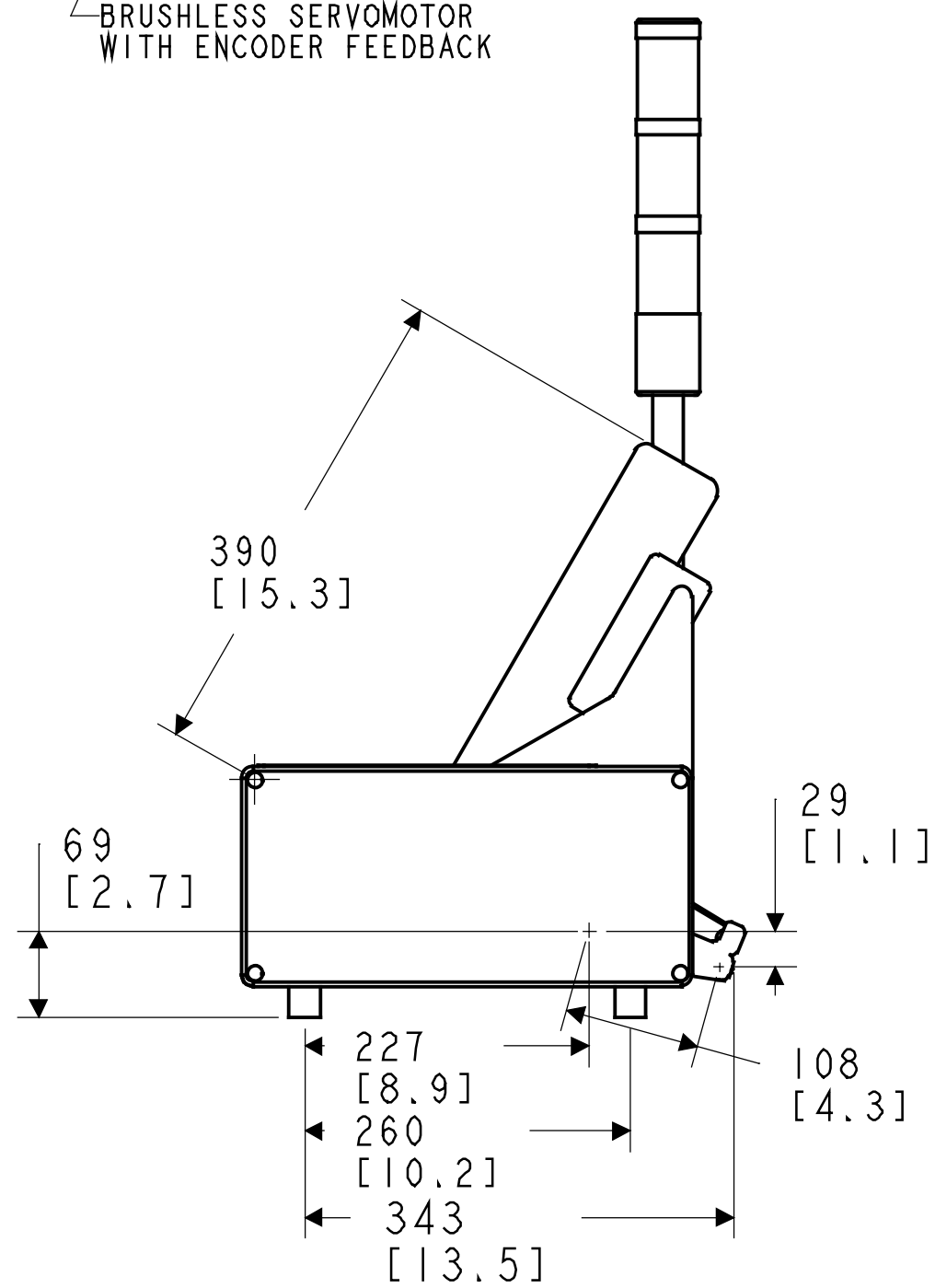
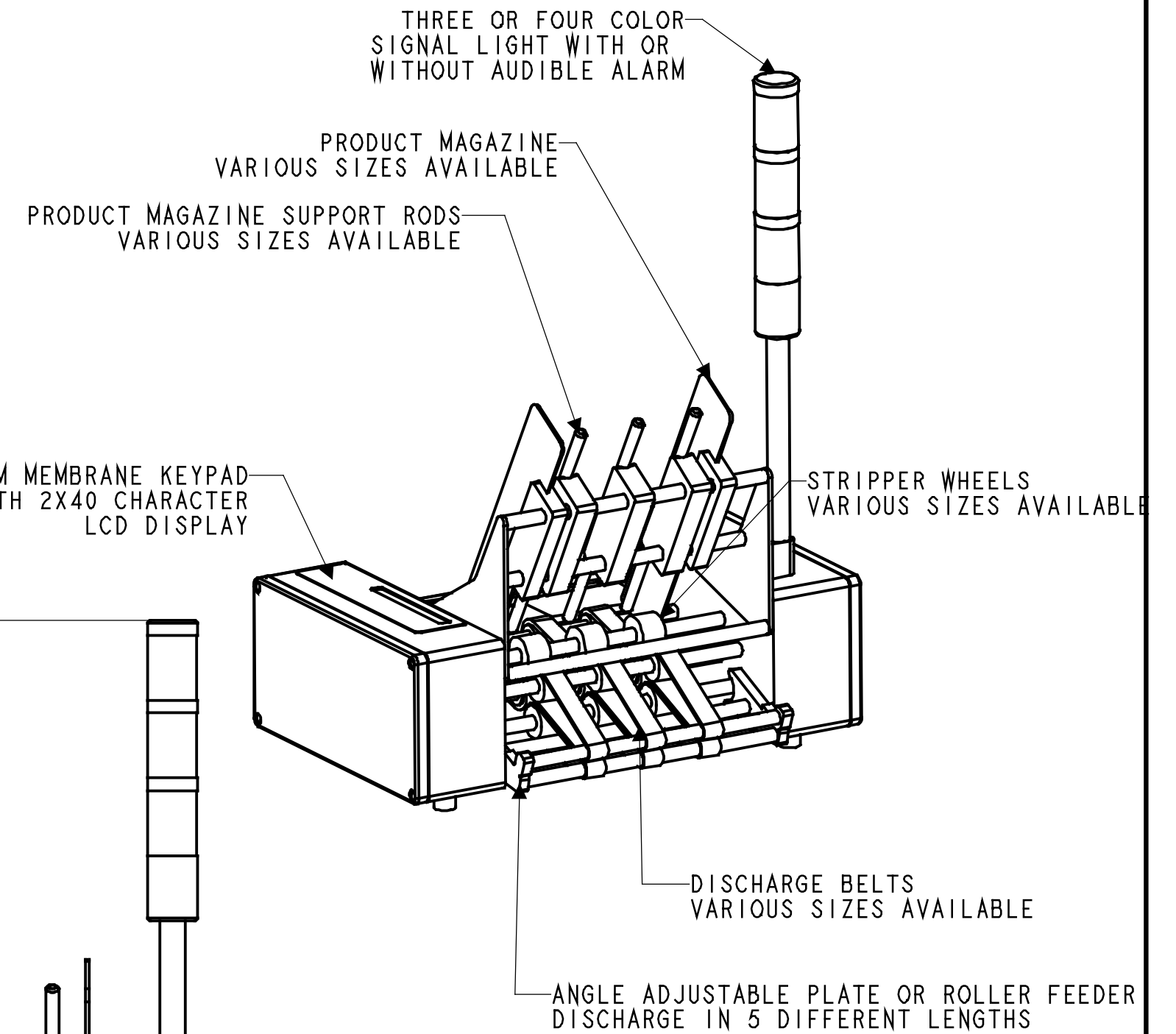


REVISIONS				
ZONE	REV	DESCRIPTION	DATE	DRAWN / APPROVED
ALL	1	ISSUED FOR REVIEW	11/30/01	A.V.
ALL	0	ISSUED FOR CONSTRUCTION	11/30/01	A.V.
ALL	A	DIMENSION MODIFIED	07/27/05	R.P.



FEED BELT TRACKS
IN VARIOUS STYLES AND WIDTHS

BRUSHLESS SERVOMOTOR
WITH ENCODER FEEDBACK



UNLESS OTHERWISE SPECIFIED, DIMENSIONS ARE IN MILLIMETERS		Multifeeder Technology, Inc.	
TOLERANCES		St. Paul, Minnesota 55110	
DECIMALS		Phone 651.407.3100, www.multifeeder.com	
.X	± 1.25 [0.05"]	MFT350INTSD	
.XX	± 0.25 [0.01"]	DRAWN: A.V. DATE: 11/30/01	
.XXX	± 0.06 [0.002"]	CHECKED: A.V. DATE: 11/30/01	
ANGULAR: .X ± 2.5°, .XX ± 0.5°		DESIGN: A.V. DATE: 04/08/98	
SIZE: C		Dwg No: 791131-0A	
SCALE: 0.200		REV: A	
O PER MACHINE		SHEET 1 OF 1	

THIS DOCUMENT, SUBMITTED IN CONFIDENCE, CONTAINS PROPRIETARY AND CONFIDENTIAL INFORMATION WHICH SHALL NOT BE REPRODUCED OR TRANSFERRED TO OTHER DOCUMENTS OR DISCLOSED TO OTHERS OR USED FOR MANUFACTURING OR ANY OTHER PURPOSE, INCLUDING ADVERTISING WITHOUT PRIOR WRITTEN PERMISSION FROM A MULTIFEEDER TECHNOLOGY, INC. REPRESENTATIVE