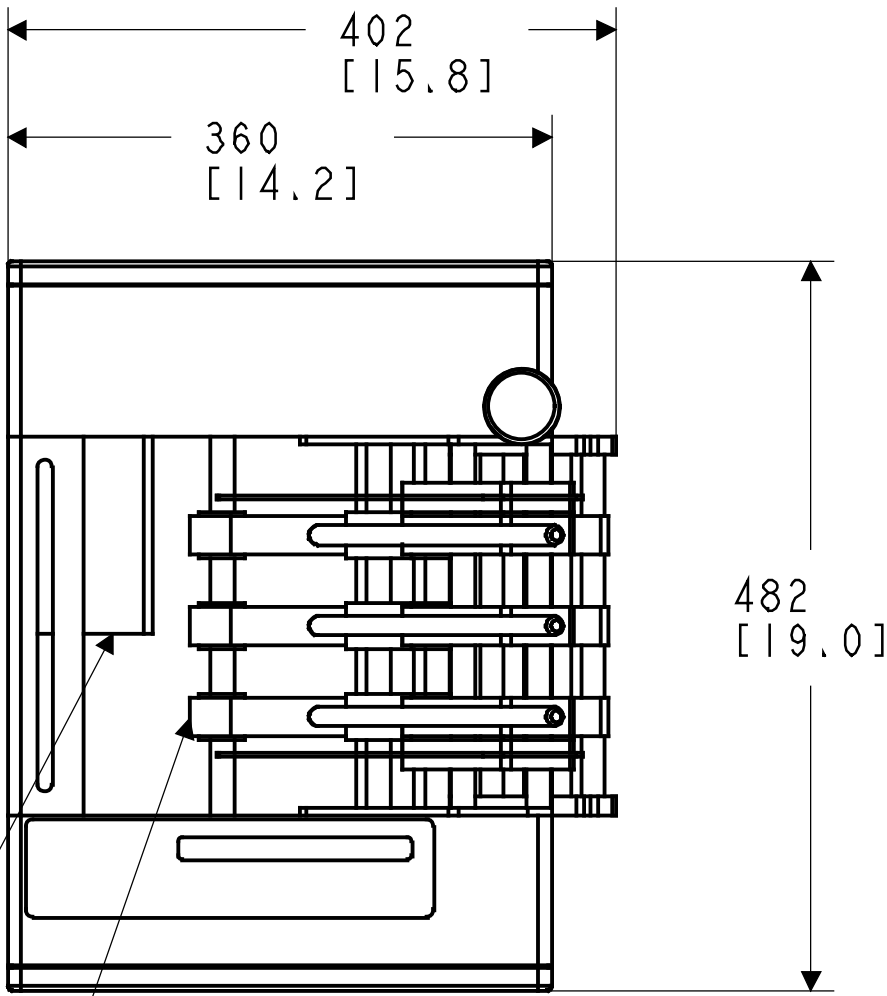


REVISIONS				
ZONE	REV	DESCRIPTION	DATE	DRAWN / APPROVED
ALL	1	ISSUED FOR REVIEW	11/30/01	A.V.
ALL	0	ISSUED FOR CONSTRUCTION	11/30/01	A.V.
ALL	A	DIMENSION MODIFIED	07/27/05	R.P.



FEED BELT TRACKS
IN VARIOUS STYLES AND WIDTHS

BRUSHLESS SERVOMOTOR
WITH ENCODER FEEDBACK

THREE OR FOUR COLOR
SIGNAL LIGHT WITH OR
WITHOUT AUDIBLE ALARM

PRODUCT MAGAZINE
VARIOUS SIZES AVAILABLE

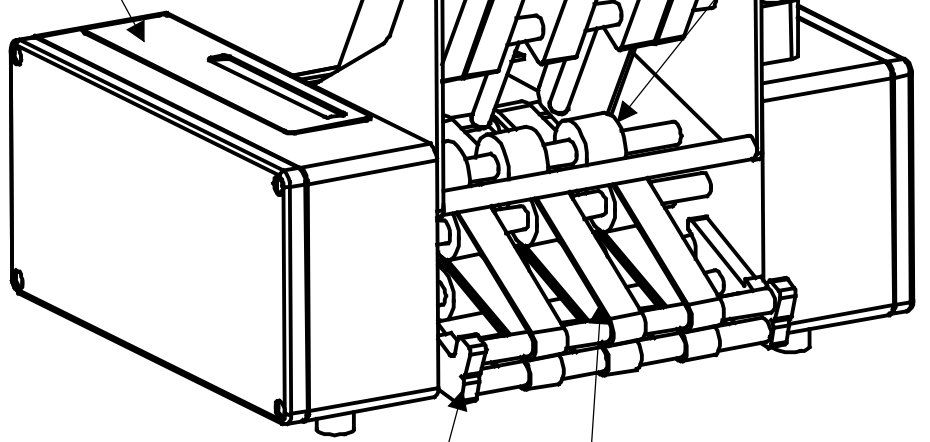
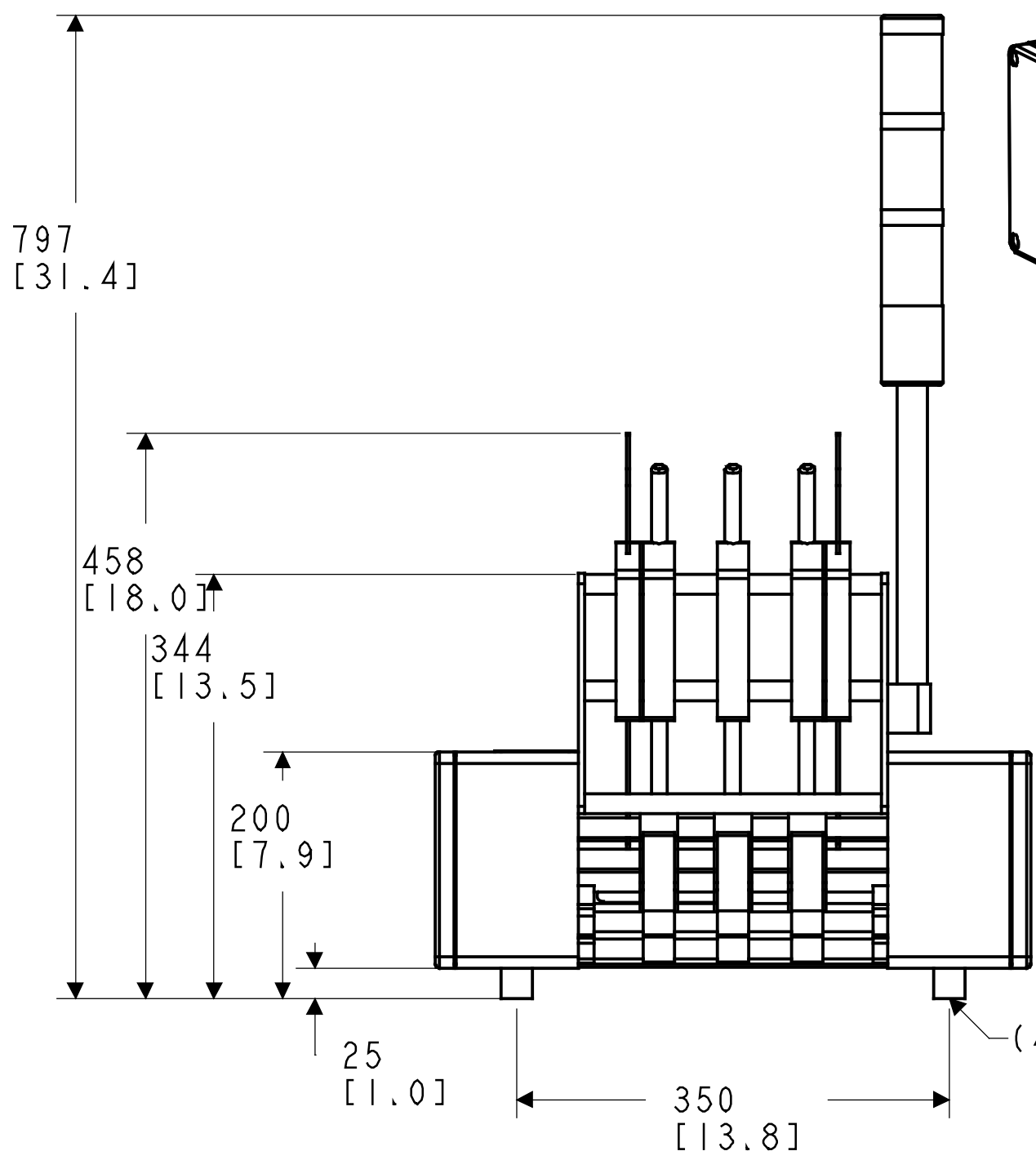
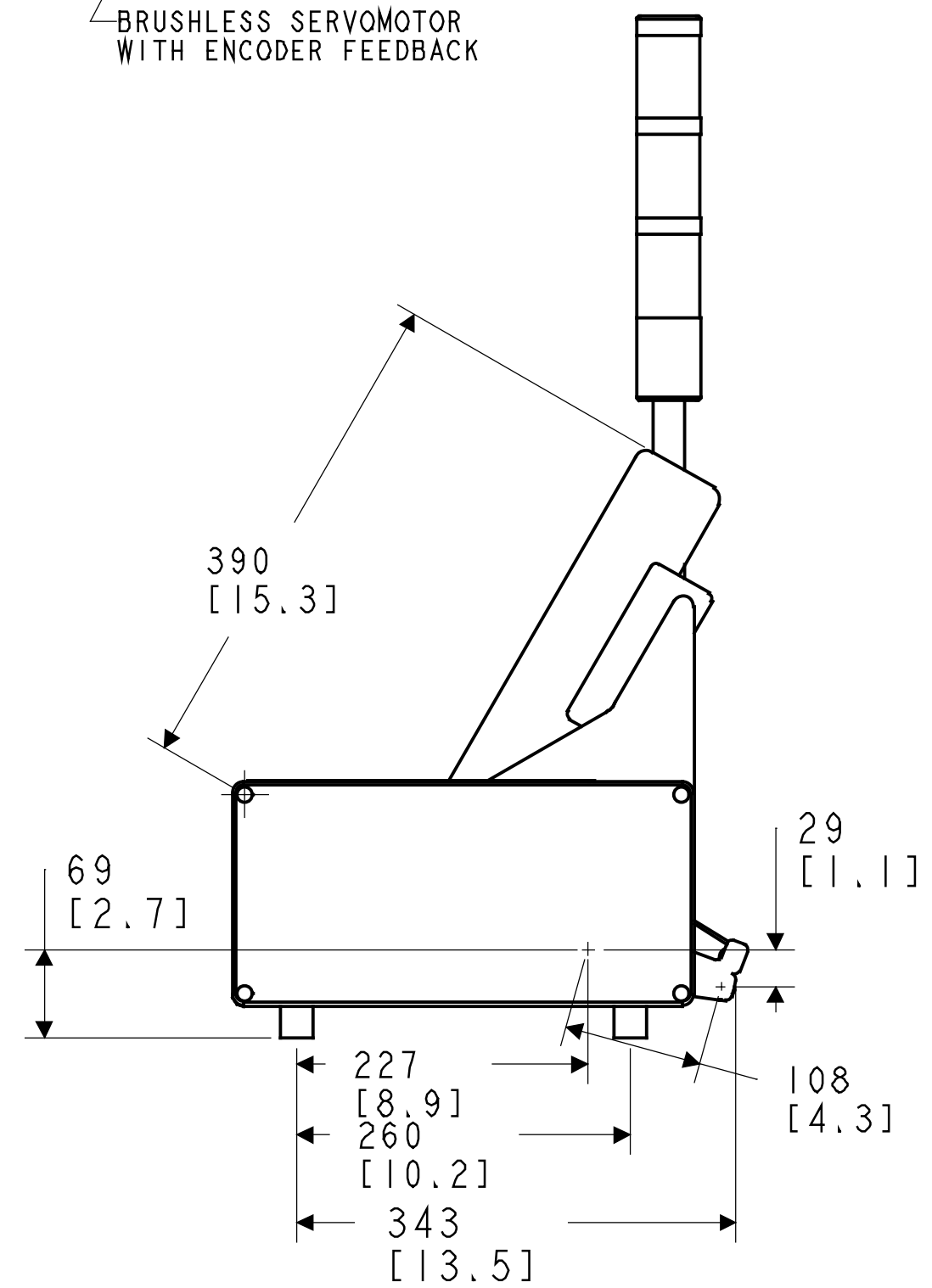
PRODUCT MAGAZINE SUPPORT RODS
VARIOUS SIZES AVAILABLE

CUSTOM MEMBRANE KEYPAD
WITH 2X40 CHARACTER
LCD DISPLAY

STRIPPER WHEELS
VARIOUS SIZES AVAILABLE

DISCHARGE BELTS
VARIOUS SIZES AVAILABLE

ANGLE ADJUSTABLE PLATE OR ROLLER FEEDER
DISCHARGE IN 5 DIFFERENT LENGTHS



UNLESS OTHERWISE SPECIFIED,
DIMENSIONS ARE IN MILLIMETERS
TOLERANCES
DECIMALS
.X ± 1.25 [0.05"]
.XX ± 0.25 [0.01"]
.XXX ± 0.06 [0.002"]
ANGULAR: .X ± 2.5°, .XX ± 0.5°

Multifeeder Technology, Inc.
St. Paul, Minnesota 55110
Phone 651.407.3100, www.multifeeder.com

DRAWN: A.V.	DATE: 11/30/01	SIZE: C	DWG No: 791121-0A	REV: A
CHECKED: A.V.	DATE: 11/30/01	SCALE: 0.200	PER MACHINE	SHEET 1 OF 1
DESIGN: A.V.	DATE: 04/08/98			

THIS DOCUMENT, SUBMITTED IN CONFIDENCE, CONTAINS PROPRIETARY AND CONFIDENTIAL INFORMATION WHICH SHALL NOT BE REPRODUCED OR TRANSFERRED TO OTHER DOCUMENTS OR DISCLOSED TO OTHERS OR USED FOR MANUFACTURING OR ANY OTHER PURPOSE, INCLUDING ADVERTISING WITHOUT PRIOR WRITTEN PERMISSION FROM A MULTIFEEDER TECHNOLOGY, INC. REPRESENTATIVE