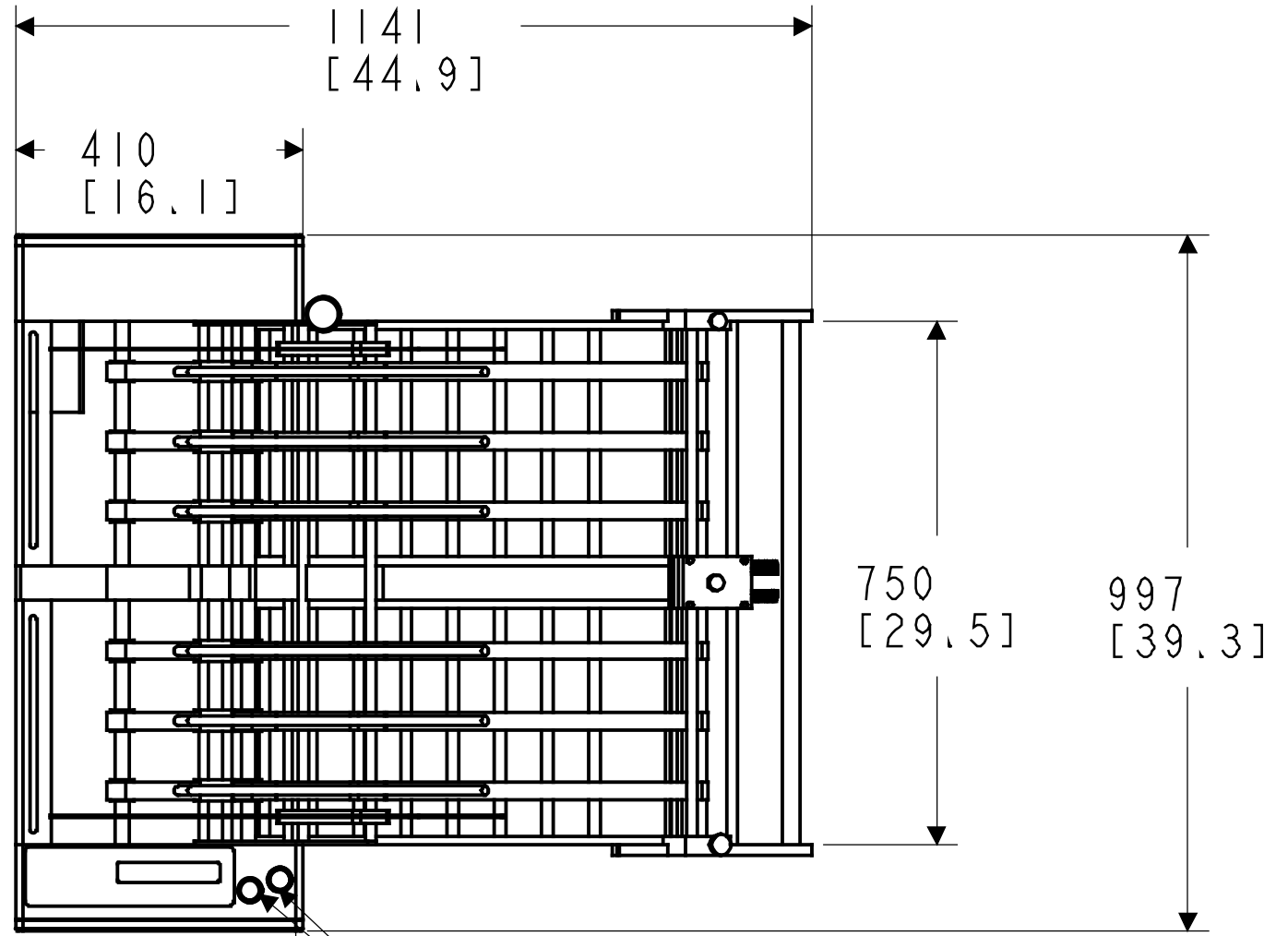


REVISIONS				
ZONE	REV	DESCRIPTION	DATE	DRAWN / APPROVED
ALL	1	ISSUED FOR REVIEW	08/18/04	J.R.
ALL	0	ISSUED FOR PRODUCTION	06/09/05	R.P./A.V.
ALL	A	DIMENSIONS MODIFIED	06/15/05	R.P./A.V.



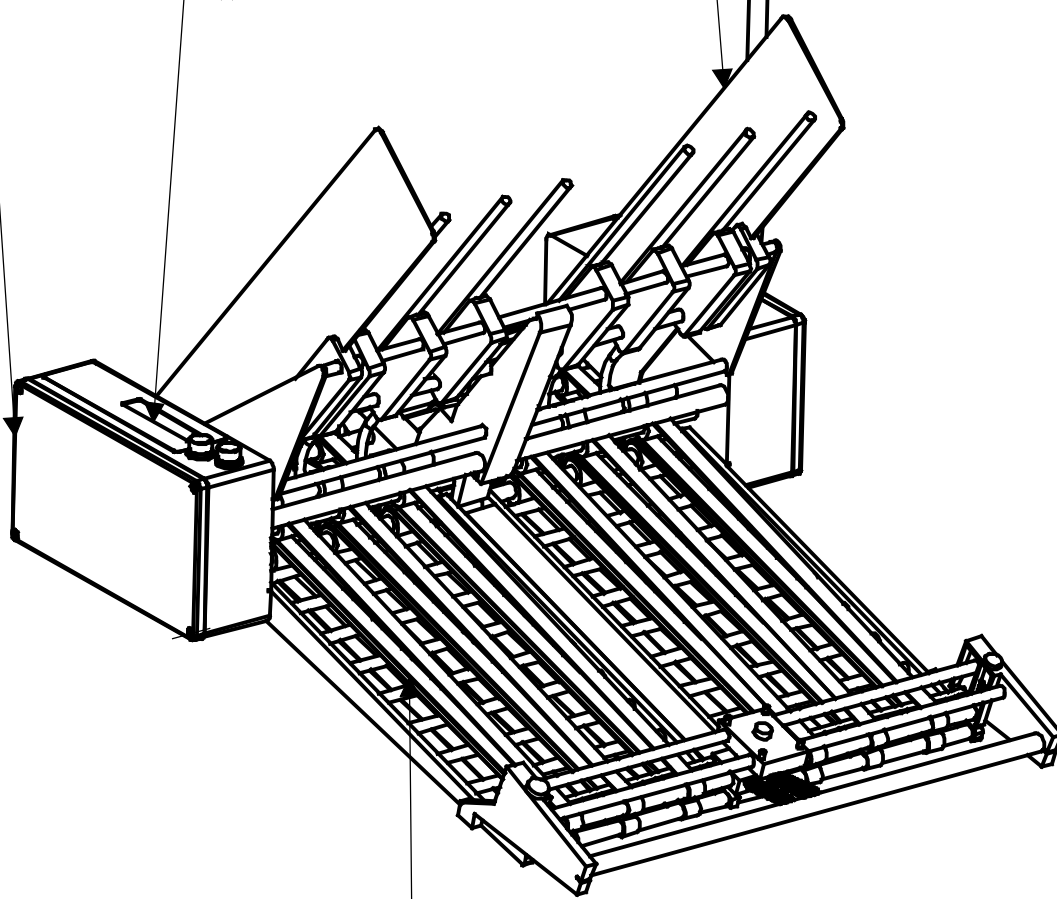
REAR SIGNAL INTERFACE:
 POWER ENTRY,
 START/STATUS,
 LOW PRODUCT,
 SERIAL, ETHERNET
 FRONT SIGNAL INTERFACE:
 PRODUCT SENSORS,
 INTERLOCK,
 SIGNAL LIGHT,
 LINE SPEED ENCODER,
 SERIAL PORTS,
 PARALLELL PORTS

THREE COLOR SIGNAL LIGHT

30" VERTICAL HEAVY DUTY
 PRODUCT MAGAZINE AND
 PRODUCT SUPPORT RODS
 WITH QUICK CHANGEOVER

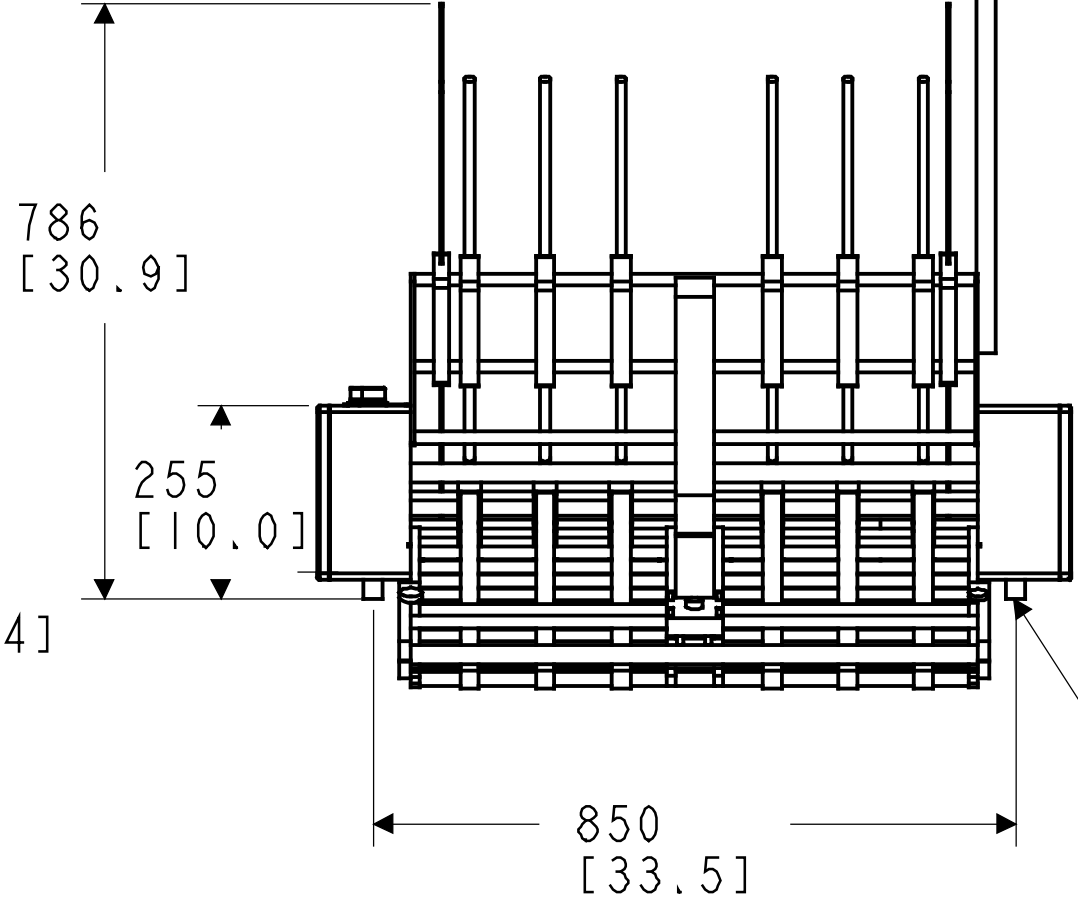
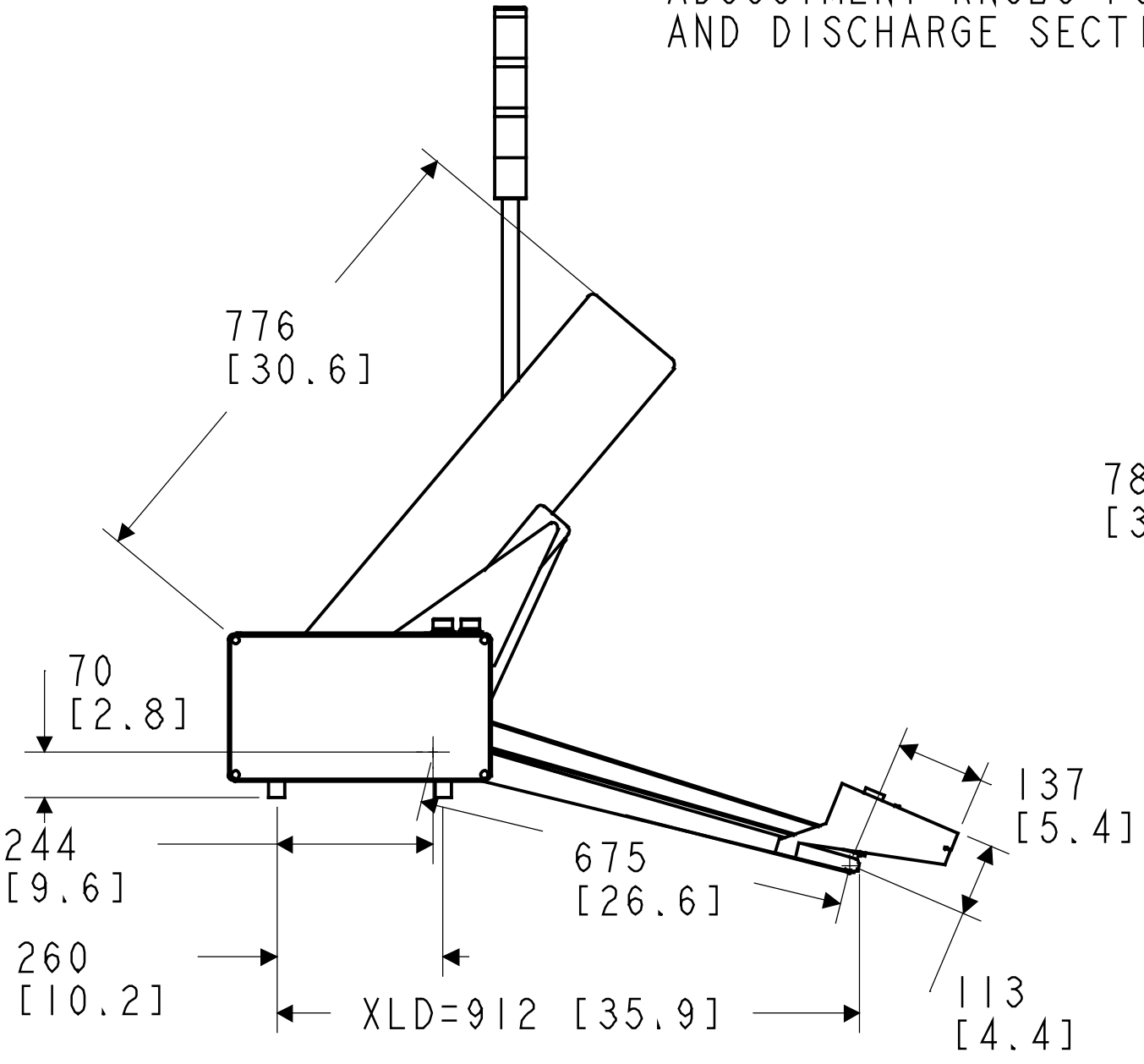
MEMBRANE KEYPAD
 WITH LCD DISPLAY

EASY ACCESSIBLE SINGLE PRODUCT THICKNESS
 ADJUSTMENT KNOBS FOR PRODUCT SEPARATION
 AND DISCHARGE SECTION



EASY ADJUSTMENT OF
 DISCHARGE ANGLE

(4) M8 BOLT HOLES



SD = 433 [17.1"] , ED = 524 [20.6]
 XED = 695 [27.4"] , SLD = 1202 [47.3"]

UNLESS OTHERWISE SPECIFIED,
 DIMENSIONS ARE IN MILLIMETERS
 TOLERANCES
 DECIMALS
 .X ± 1.25 [0.05"]
 .XX ± 0.25 [0.01"]
 .XXX ± 0.05 [0.002"]
 ANGULAR: .X ± 2.5°, .XX ± 0.5°

Multifeeder Technology, Inc.
 St. Paul, Minnesota 55110
 Phone 651.407.3100, www.multifeeder.com

MFT7501PXLD

DRAWN: R.P.	DATE: 08/16/04	SIZE: C	DWG NO: 791074-0A	REV: A
CHECKED: A.V.	DATE: 08/16/04	SCALE: 0.067	Q PER MACHINE	SHEET 1 OF 1
DESIGN: A.V.	DATE: 08/16/04			

THIS DOCUMENT, SUBMITTED IN CONFIDENCE, CONTAINS PROPRIETARY AND CONFIDENTIAL INFORMATION WHICH SHALL NOT BE REPRODUCED OR TRANSFERRED TO OTHER DOCUMENTS OR DISCLOSED TO OTHERS OR USED FOR MANUFACTURING OR ANY OTHER PURPOSE, INCLUDING ADVERTISING WITHOUT PRIOR WRITTEN PERMISSION FROM A MULTIFEEDER TECHNOLOGY, INC. REPRESENTATIVE