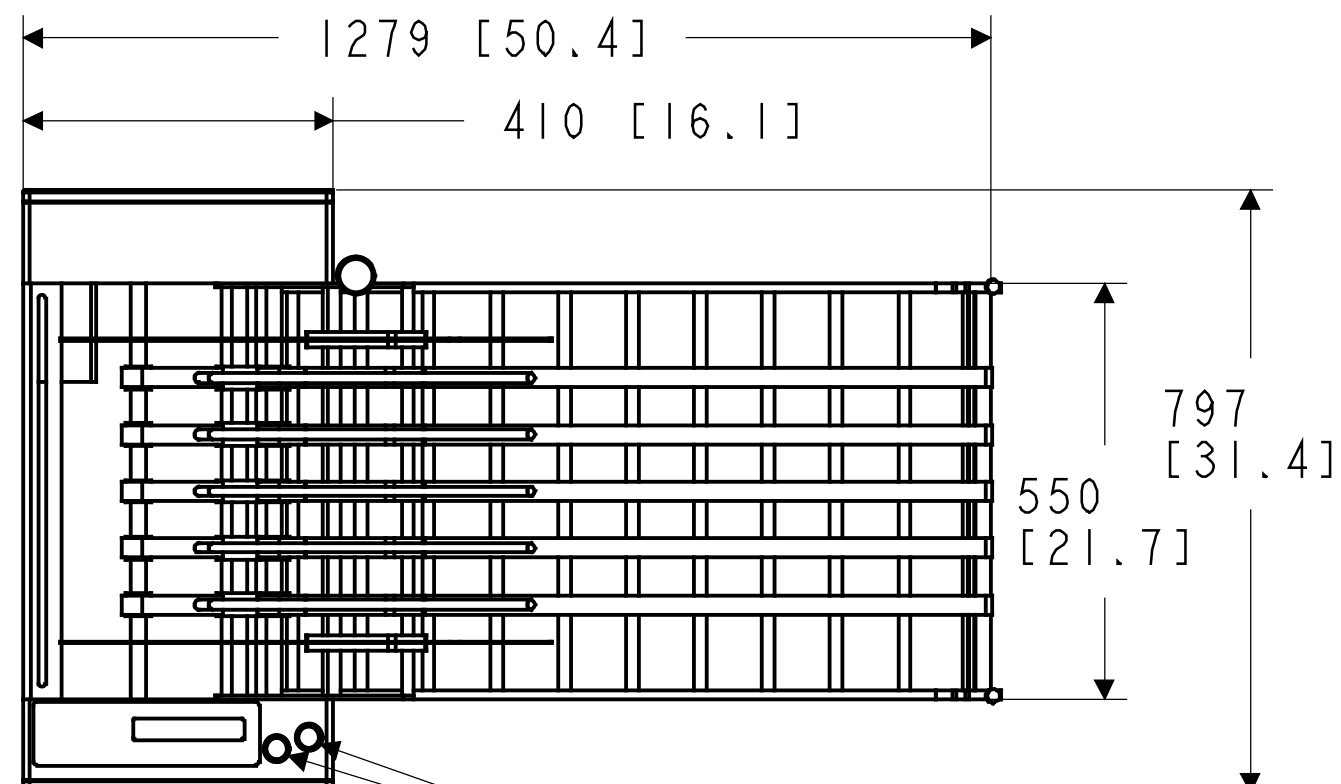


REVISIONS				
ZONE	REV	DESCRIPTION	DATE	DRAWN / APPROVED
ALL	1	ISSUED FOR REVIEW	08/18/04	J.R.
ALL	0	ISSUED FOR PRODUCTION	05/24/05	R.P./ A.V.
ALL	A	DIMENSIONS MODIFIED	06/15/05	R.P./ A.V.



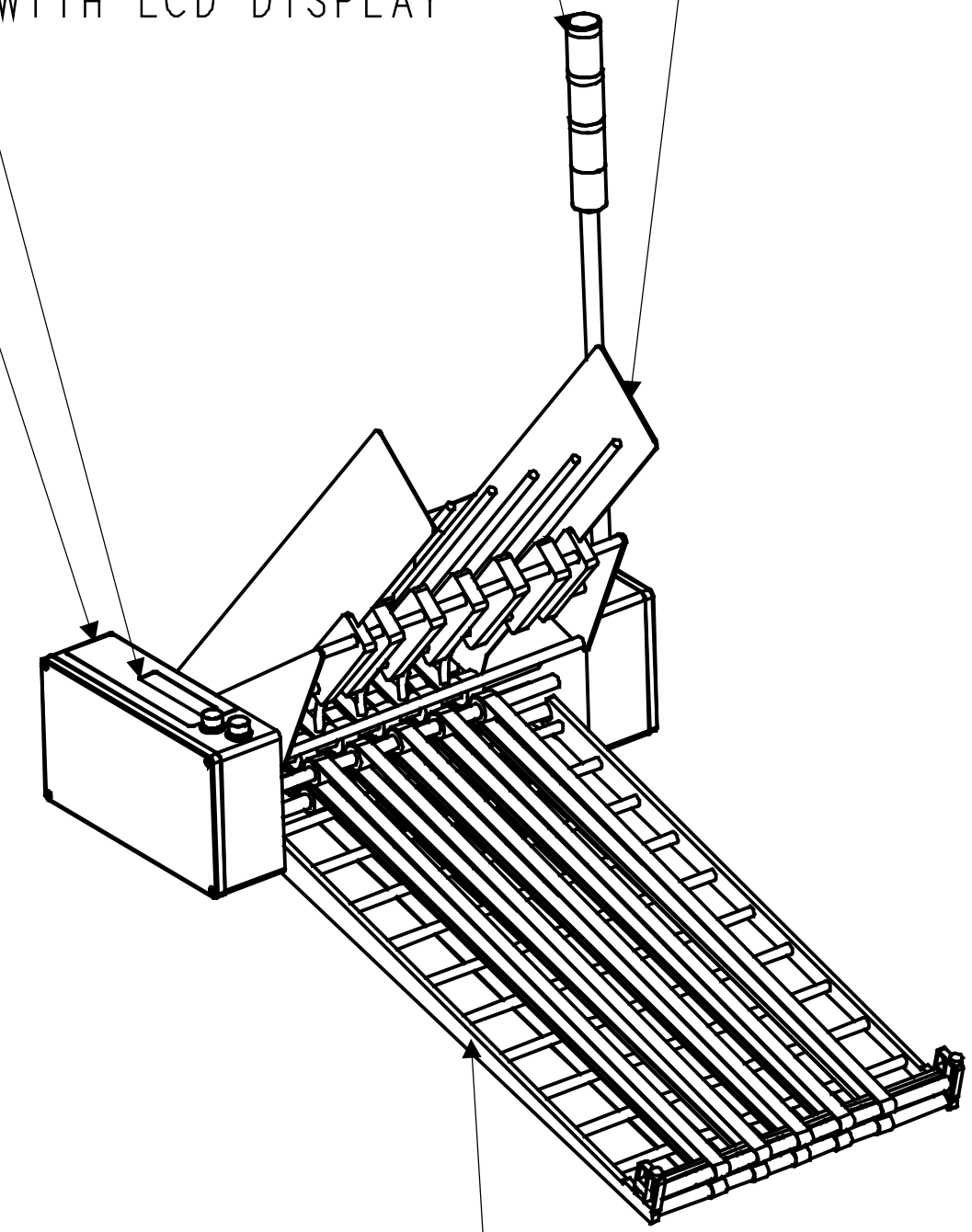
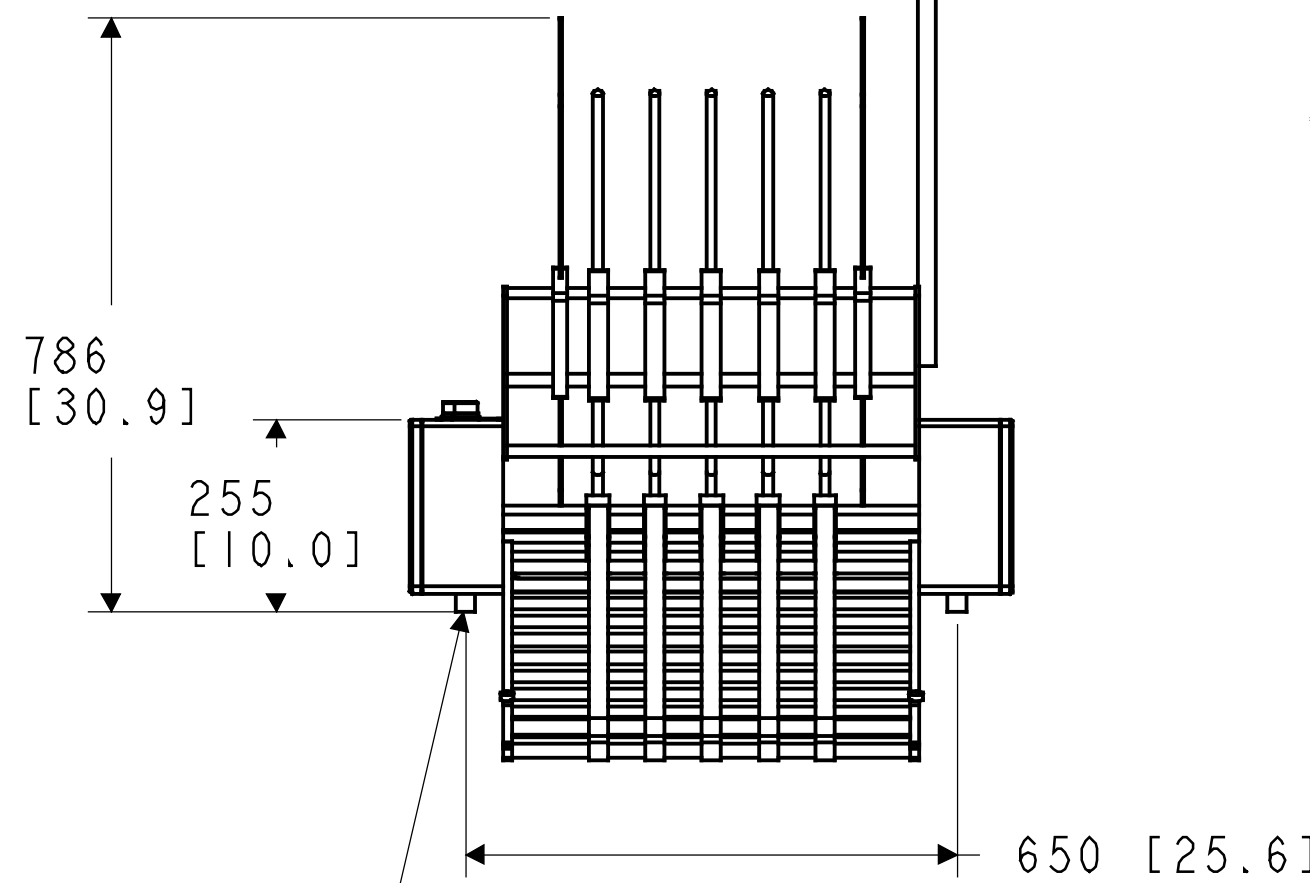
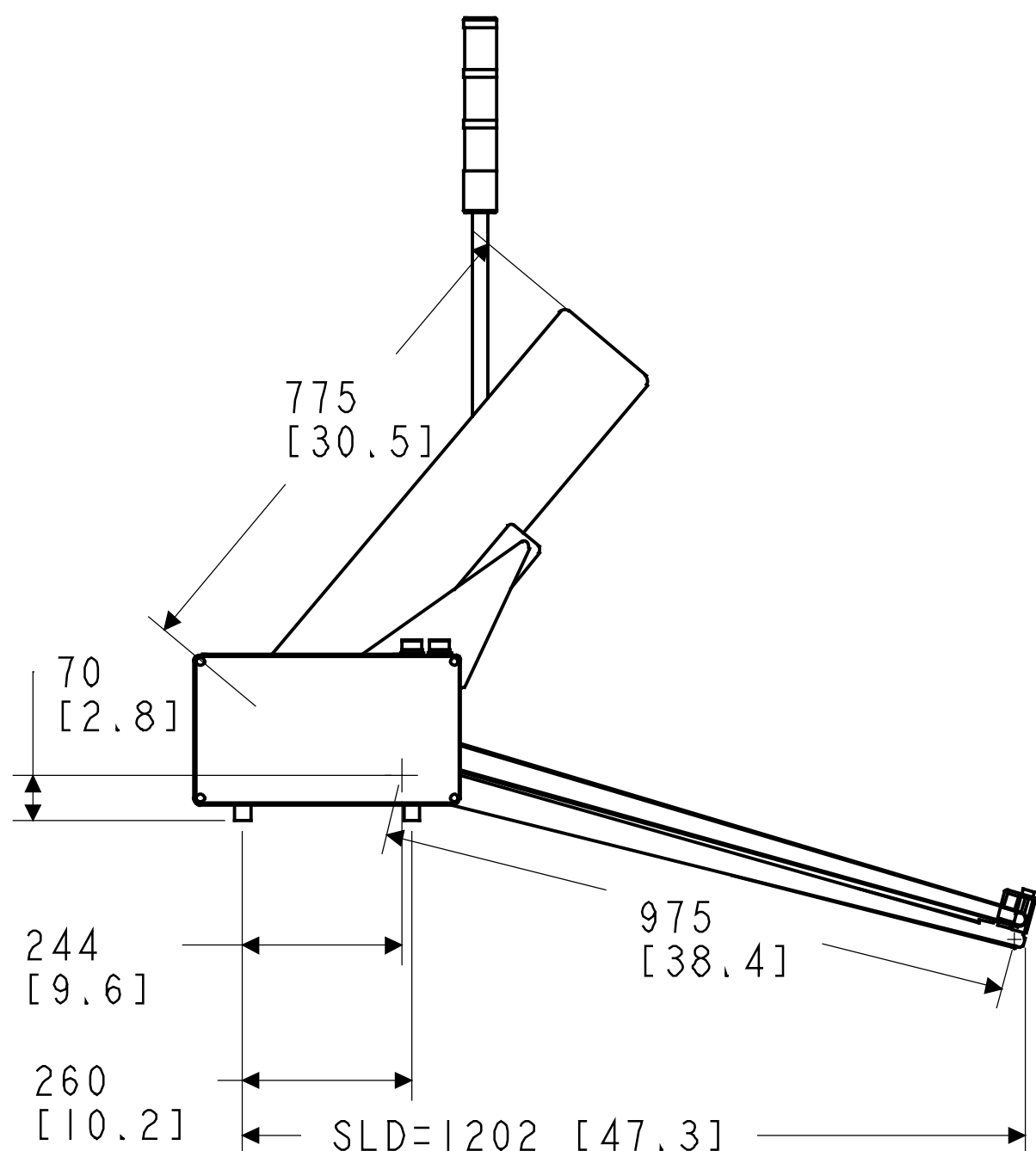
REAR SIGNAL INTERFACE:
 POWER ENTRY,
 START/STATUS,
 LOW PRODUCT,
 SERIAL, ETHERNET
 FRONT SIGNAL INTERFACE:
 PRODUCT SENSORS,
 INTERLOCK,
 SIGNAL LIGHT,
 LINE SPEED ENCODER,
 SERIAL PORTS,
 PARALLELL PORTS

30" VERTICAL HEAVY DUTY
 PRODUCT MAGAZINE AND
 PRODUCT SUPPORT RODS
 WITH QUICK CHANGEOVER

THREE COLOR SIGNAL LIGHT

MEMBRANE KEYPAD
 WITH LCD DISPLAY

EASY ACCESSIBLE SINGLE PRODUCT THICKNESS
 ADJUSTMENT KNOBS FOR PRODUCT SEPARTION
 AND DISCHARGE SECTION



EASY ADJUSTMENT OF
 DISCHARGE ANGLE

(4) M8 BOLT HOLES

SD=433 [17.1"], ED = 524 [20.6]
 XED = 695 [27.4"], XLD = 912 [35.9"],

UNLESS OTHERWISE SPECIFIED, DIMENSIONS ARE IN MILLIMETERS		Multifeeder Technology, Inc.	
TOLERANCES		St. Paul, Minnesota 55110	
DECIMALS		Phone 651.407.3100, www.multifeeder.com	
.X	± 1.25 [0.05"]	MFT550IPSLD	
.XX	± 0.25 [0.01"]	DRW NO: 791055-0A	REV: A
.XXX	± 0.05 [0.002"]	SCALE: 0.150	SHEET 1 OF 1
ANGULAR: .X ± 2.5°, .XX ± 0.5°			
DRAWN: R.P.	DATE: 08/16/04		
CHECKED: A.V.	DATE: 08/16/04		
DESIGN: A.V.	DATE: 08/16/04		

THIS DOCUMENT, SUBMITTED IN CONFIDENCE, CONTAINS PROPRIETARY AND CONFIDENTIAL INFORMATION WHICH SHALL NOT BE REPRODUCED OR TRANSFERED TO OTHER DOCUMENTS OR DISCLOSED TO OTHERS OR USED FOR MANUFACTURING OR ANY OTHER PURPOSE, INCLUDING ADVERTISING WITHOUT PRIOR WRITTEN PERMISSION FROM A MULTIFEEDER TECHNOLOGY, INC. REPRESENTATIVE