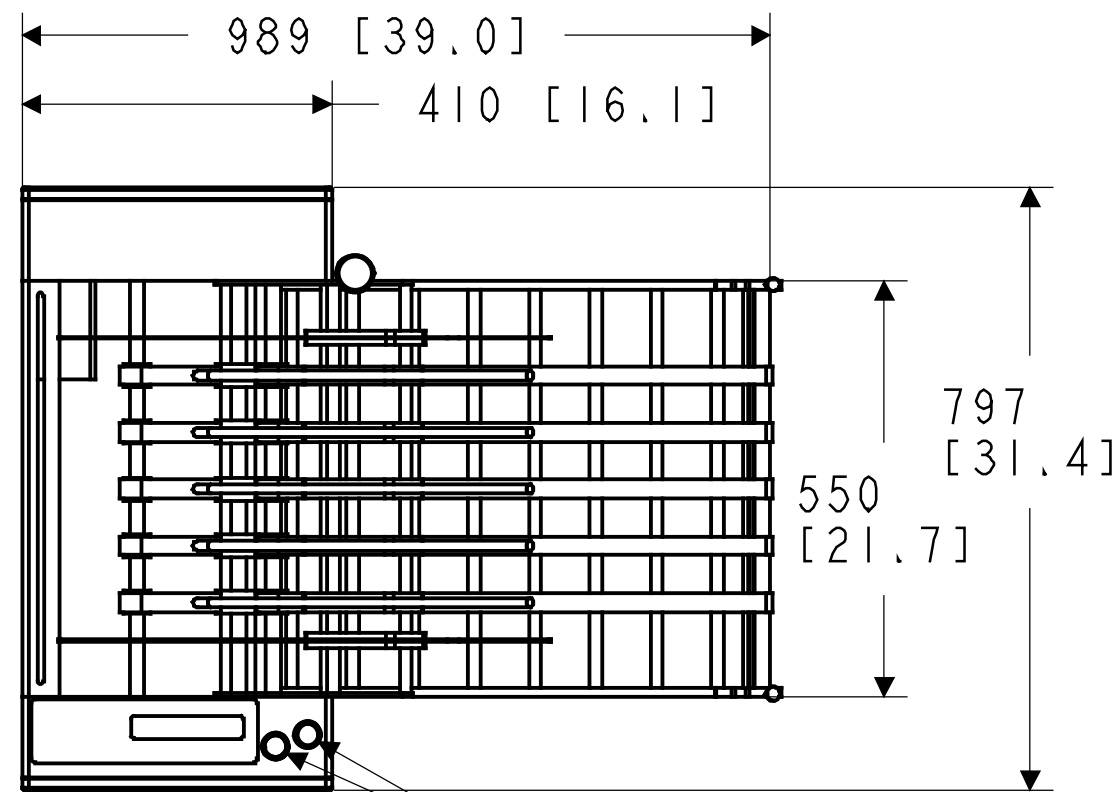


REVISIONS				
ZONE	REV	DESCRIPTION	DATE	DRAWN / APPROVED
ALL	1	ISSUED FOR REVIEW	08/18/04	J.R.
ALL	0	ISSUED FOR PRODUCTION	08/18/04	J.R./ A.V.
ALL	A	DIMENSIONS MODIFIED	06/14/05	R.P./A.V.

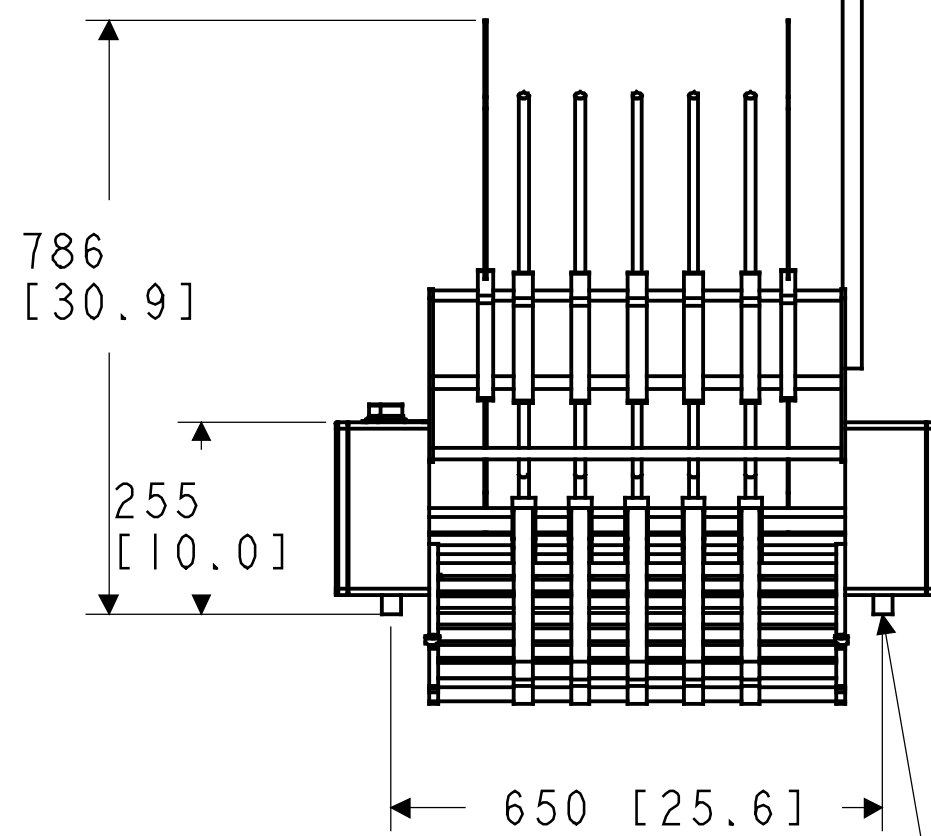
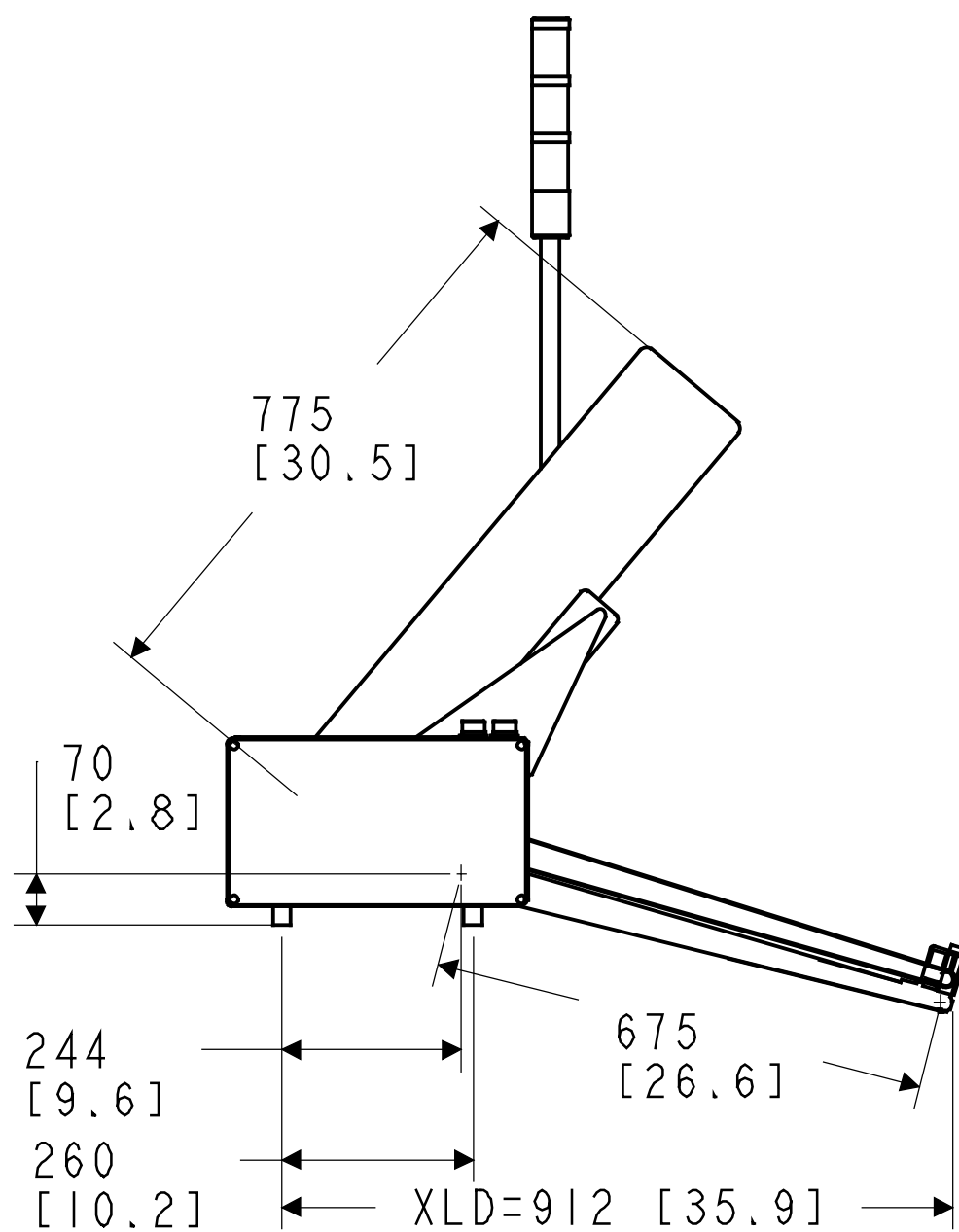


REAR SIGNAL INTERFACE:
POWER ENTRY,
START/STATUS,
LOW PRODUCT,
SERIAL, ETHERNET

FRONT SIGNAL INTERFACE:
PRODUCT SENSORS,
INTERLOCK,
SIGNAL LIGHT,
LINE SPEED ENCODER,
SERIAL PORTS,
PARALLELL PORTS

EASY ACCESSIBLE SINGLE PRODUCT THICKNESS
ADJUSTMENT KNOBS FOR PRODUCT SEPARTION
AND DISCHARGE SECTION

THREE COLOR SIGNAL LIGHT
30" VERTICAL HEAVY DUTY
PRODUCT MAGAZINE AND
PRODUCT SUPPORT RODS
WITH QUICK CHANGEOVER



EASY ADJUSTMENT OF
DISCHARGE ANGLE

(4) M8 BOLT HOLES

SD = 433 [17.1"], ED = 524 [20.6"]
XED = 695 [27.4"], SLD = 1202 [47.3"]

THIS DOCUMENT, SUBMITTED IN CONFIDENCE, CONTAINS PROPRIETARY AND CONFIDENTIAL INFORMATION WHICH SHALL NOT BE REPRODUCED OR TRANSFERED TO OTHER DOCUMENTS OR DISCLOSED TO OTHERS OR USED FOR MANUFACTURING OR ANY OTHER PURPOSE, INCLUDING ADVERTISING WITHOUT PRIOR WRITTEN PERMISSION FROM A MULTIFEEDER TECHNOLOGY, INC. REPRESENTATIVE

UNLESS OTHERWISE SPECIFIED, DIMENSIONS ARE IN MILLIMETERS		Multifeeder Technology, Inc.	
TOLERANCES DECIMALS		St. Paul, Minnesota 55110	
.X	± 1.25 [0.05"]	Phone 651.407.3100, www.multifeeder.com	
.XX	± 0.25 [0.01"]	MFT5501PXL	
.XXX	± 0.05 [0.002"]	DRAWN: J.R. DATE: 08/16/04	
ANGULAR: .X ± 2.5°, .XX ± 0.5°		CHECKED: A.V. DATE: 08/16/04	SIZE: C
		DESIGN: A.V. DATE: 08/16/04	DWG NO: 791054-0A REV: A
		SCALE: 0.130	SHEET 1 OF 1