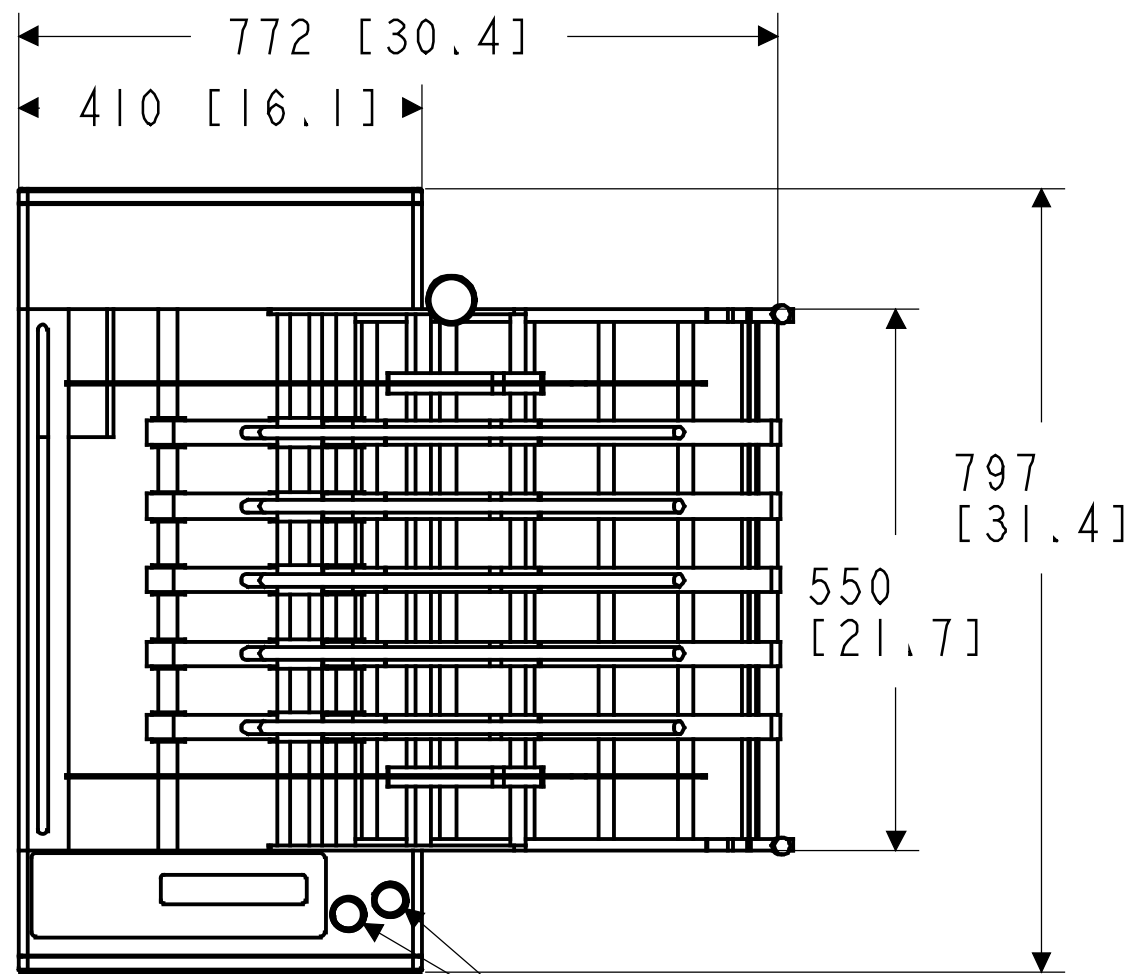


REVISIONS				
ZONE	REV	DESCRIPTION	DATE	DRAWN / APPROVED
ALL	1	ISSUED FOR REVIEW	08/18/04	J.R.
ALL	0	ISSUED FOR PRODUCTION	08/18/04	J.R./ A.V.
ALL	A	DIMENSIONS MODIFIED	06/14/05	R.P./A.V.



REAR SIGNAL INTERFACE:  
POWER ENTRY,  
START/STATUS,  
LOW PRODUCT,  
SERIAL, ETHERNET

FRONT SIGNAL INTERFACE:  
PRODUCT SENSORS,  
INTERLOCK,  
SIGNAL LIGHT,  
LINE SPEED ENCODER,  
SERIAL PORTS,  
PARALLELL PORTS

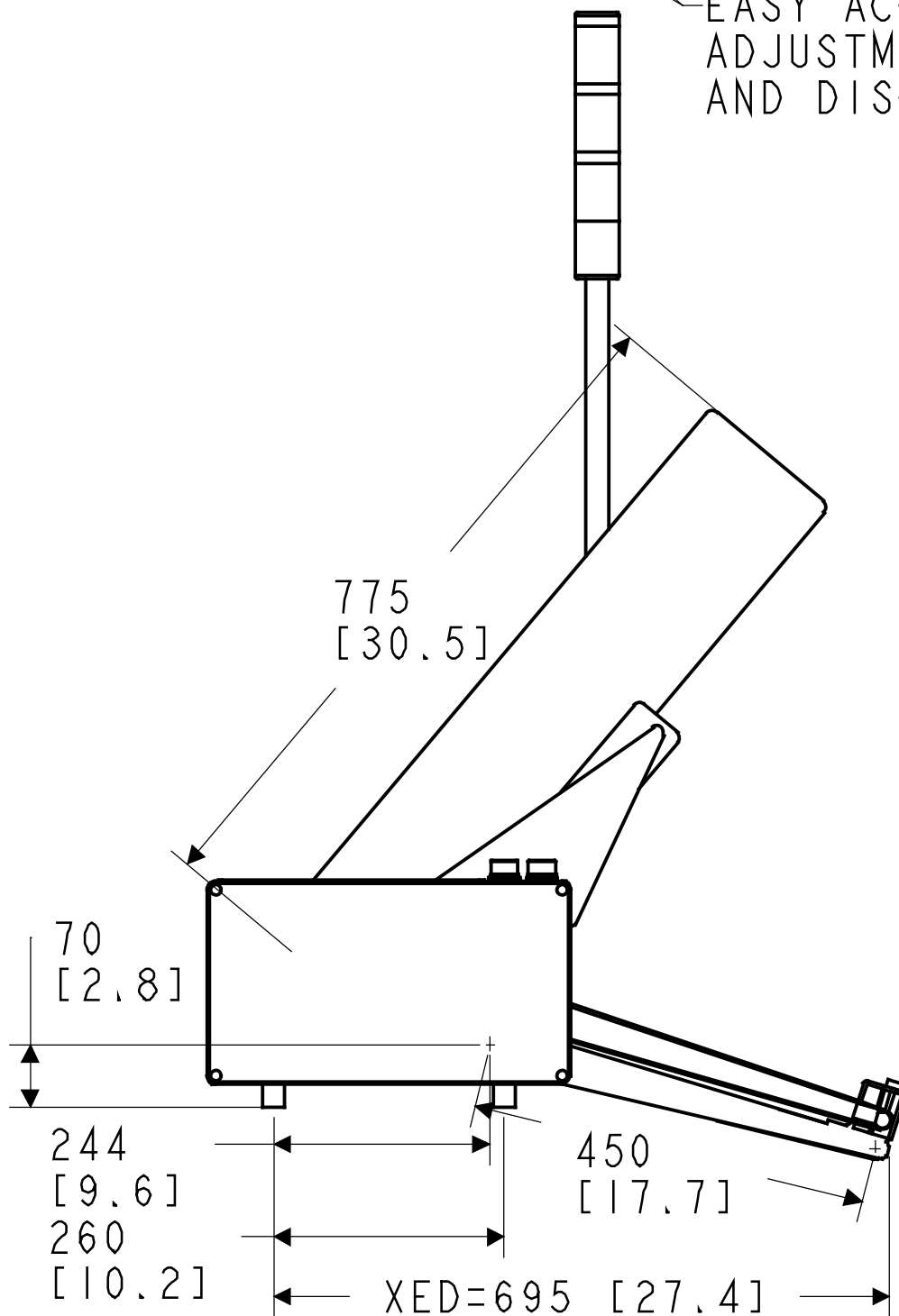
EASY ACCESSIBLE SINGLE PRODUCT THICKNESS  
ADJUSTMENT KNOBS FOR PRODUCT SEPARATION  
AND DISCHARGE SECTION

THREE COLOR SIGNAL LIGHT  
30" VERTICAL HEAVY DUTY  
PRODUCT MAGAZINE AND  
PRODUCT SUPPORT RODS  
WITH QUICK CHANGEOVER

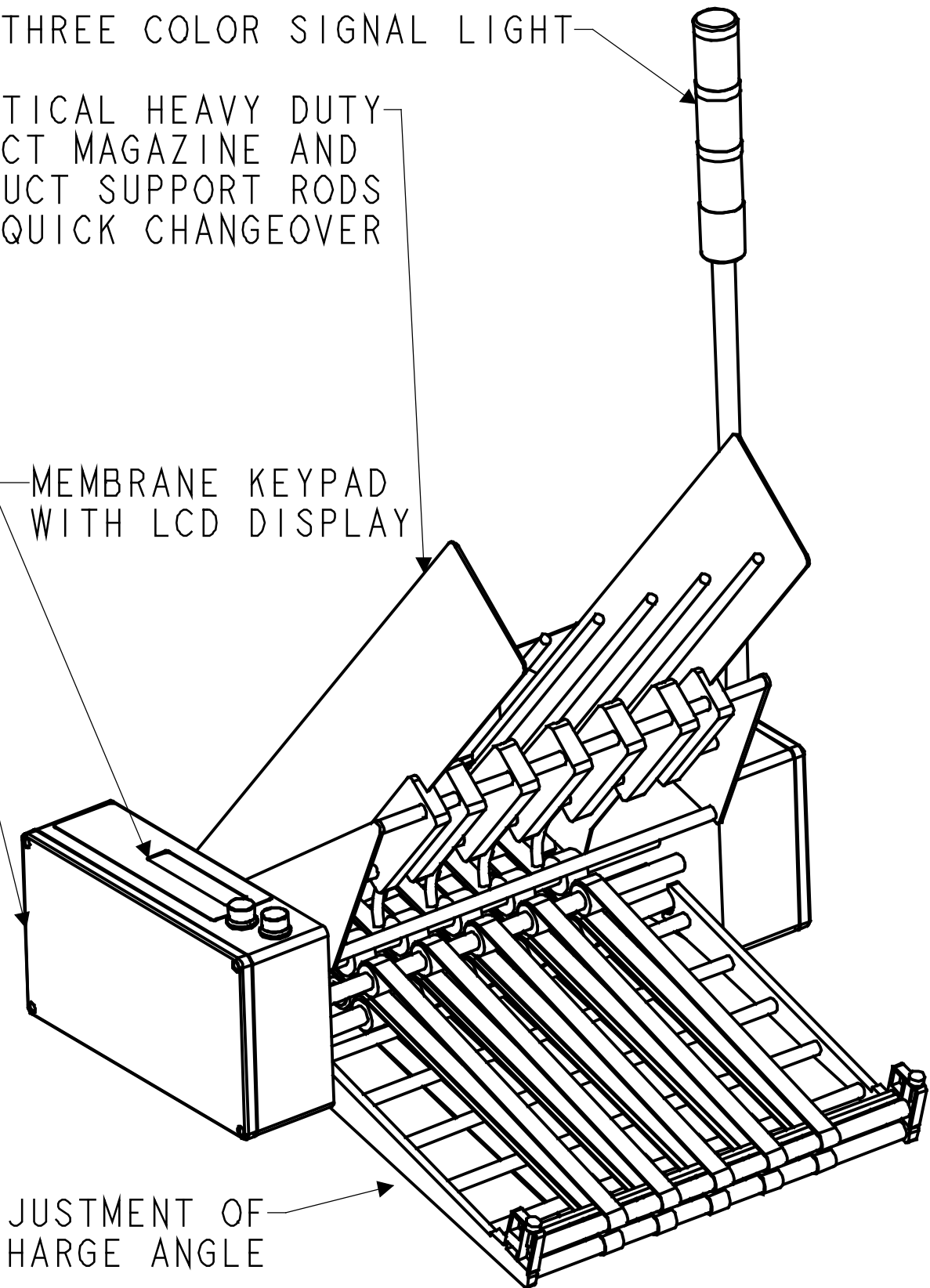
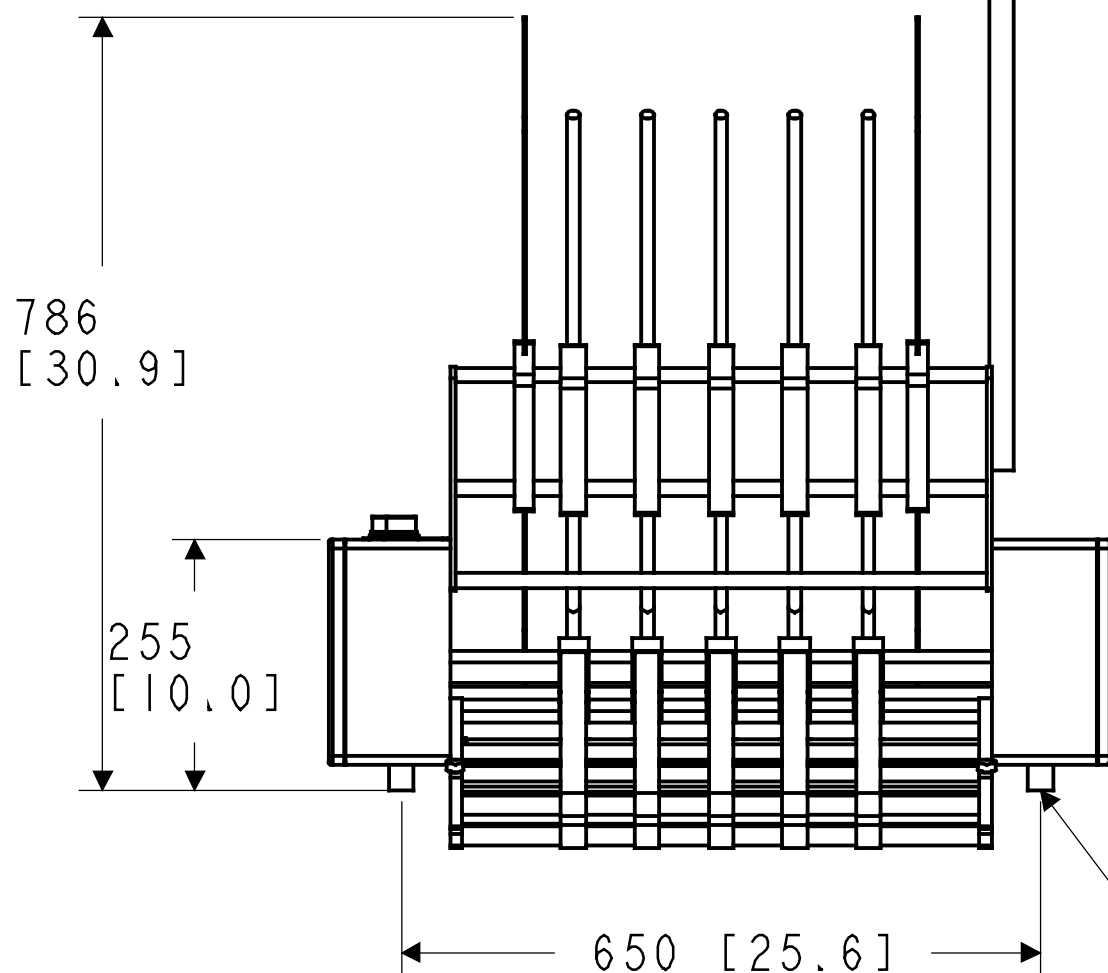
MEMBRANE KEYPAD  
WITH LCD DISPLAY

EASY ADJUSTMENT OF  
DISCHARGE ANGLE

(4) M8 BOLT HOLES



SD = 433 [17.1"], ED = 524 [20.6"]  
XLD = 912 [35.9"], SLD = 1202 [47.3"]



UNLESS OTHERWISE SPECIFIED,  
DIMENSIONS ARE IN MILLIMETERS  
TOLERANCES  
DECIMALS  
.X ± 1.25 [0.05"]  
.XX ± 0.25 [0.01"]  
.XXX ± 0.05 [0.002"]  
ANGULAR: .X ± 2.5°, .XX ± 0.5°

**Multifeeder Technology, Inc.**  
St. Paul, Minnesota 55110  
Phone 651.407.3100, www.multifeeder.com

MFT5501PXED

DRAWN: J.R.	DATE: 08/16/04	SIZE: C	DWG NO: 791053-0A	REV: A
CHECKED: A.V.	DATE: 08/16/04	SCALE: 0.130	Q PER MACHINE	SHEET 1 OF 1
DESIGN: A.V.	DATE: 08/16/04			

THIS DOCUMENT, SUBMITTED IN CONFIDENCE, CONTAINS PROPRIETARY AND CONFIDENTIAL INFORMATION WHICH SHALL NOT BE REPRODUCED OR TRANSFERRED TO OTHER DOCUMENTS OR DISCLOSED TO OTHERS OR USED FOR MANUFACTURING OR ANY OTHER PURPOSE, INCLUDING ADVERTISING WITHOUT PRIOR WRITTEN PERMISSION FROM A MULTIFEEDER TECHNOLOGY, INC. REPRESENTATIVE