

REVISIONS				
ZONE	REV	DESCRIPTION	DATE	DRAWN / APPROVED
ALL	1	ISSUED FOR REVIEW	08/18/04	J.R.
ALL	0	ISSUED FOR PRODUCTION	08/18/04	J.R./ A.V.
ALL	A	DIMENSIONS MODIFIED	06/14/05	R.P./A.V.

REAR SIGNAL INTERFACE:  
 POWER ENTRY,  
 START/STATUS,  
 LOW PRODUCT,  
 SERIAL, ETHERNET

FRONT SIGNAL INTERFACE:  
 PRODUCT SENSORS,  
 INTERLOCK,  
 SIGNAL LIGHT,  
 LINE SPEED ENCODER,  
 SERIAL PORTS,  
 PARALLELL PORTS

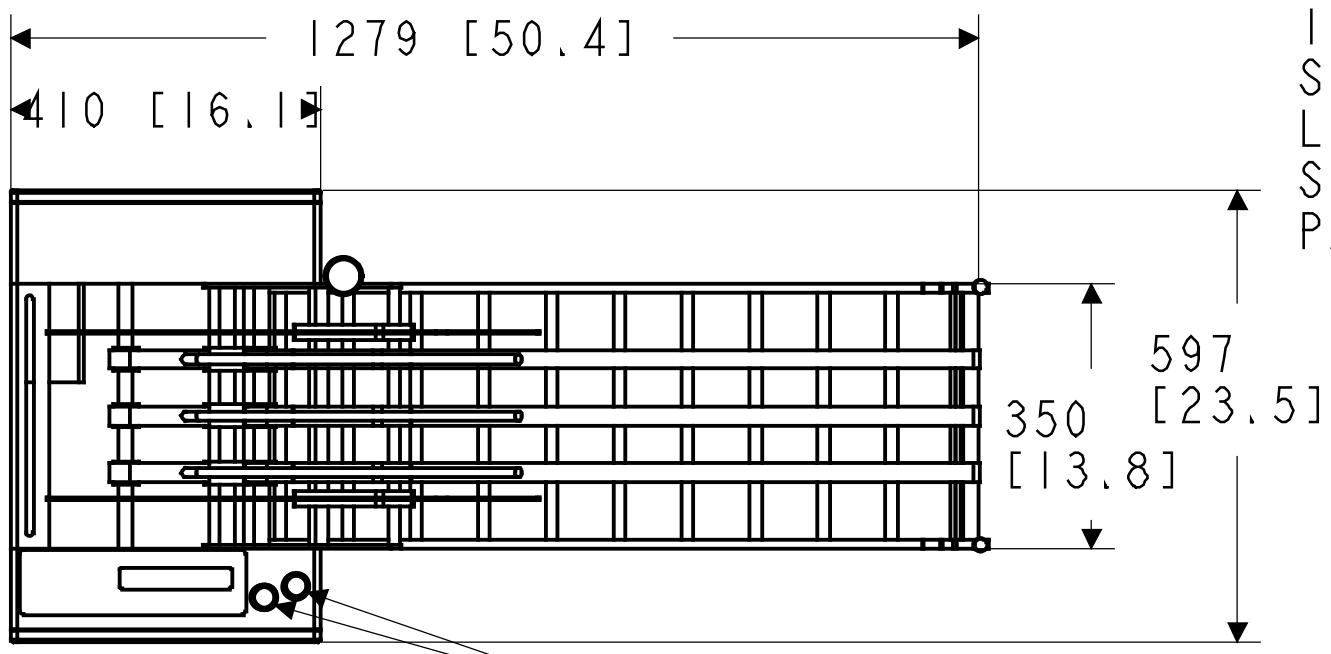
THREE COLOR SIGNAL LIGHT

30" VERTICAL HEAVY DUTY  
 PRODUCT MAGAZINE AND  
 PRODUCT SUPPORT RODS  
 WITH QUICK CHANGEOVER

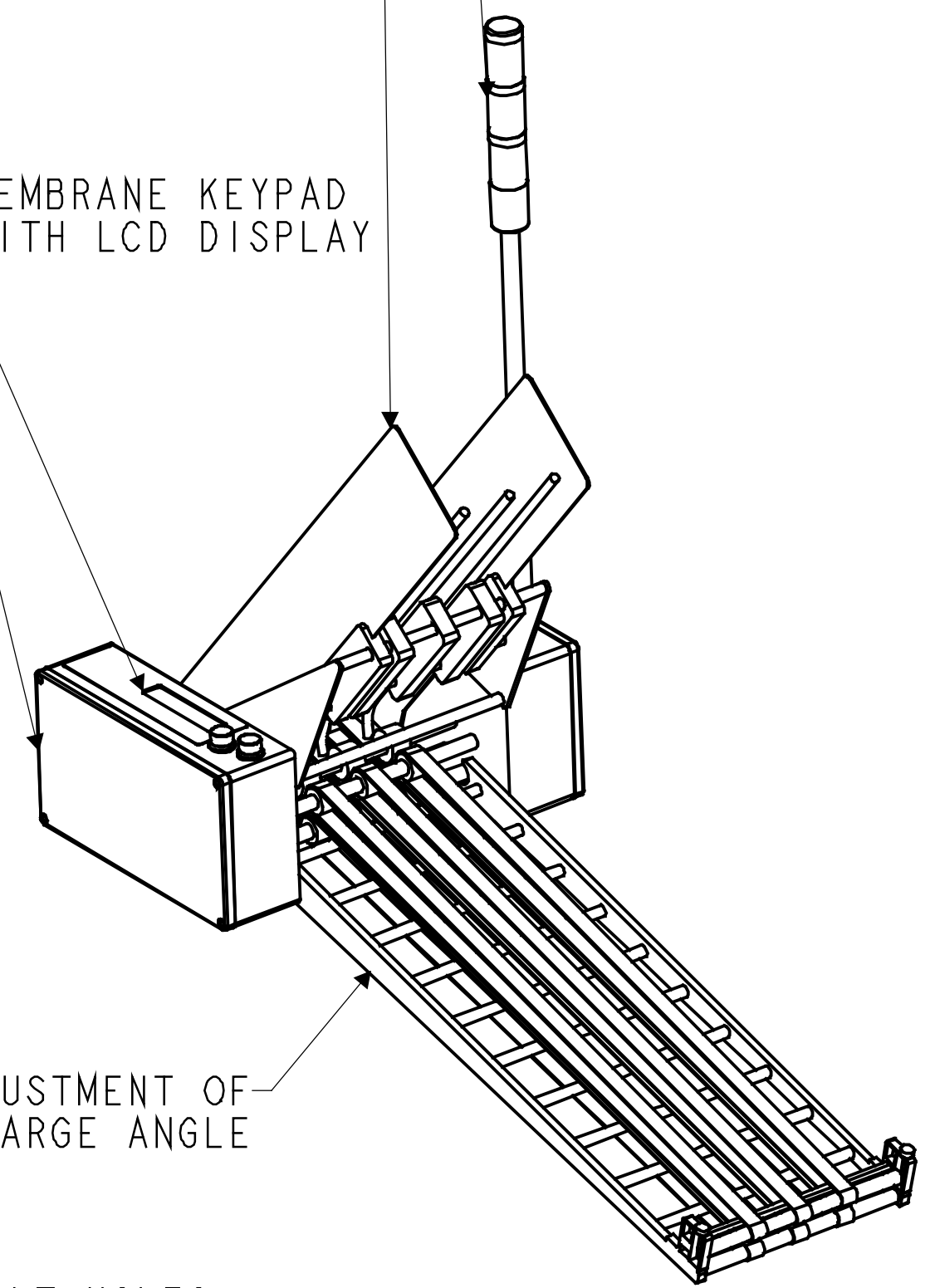
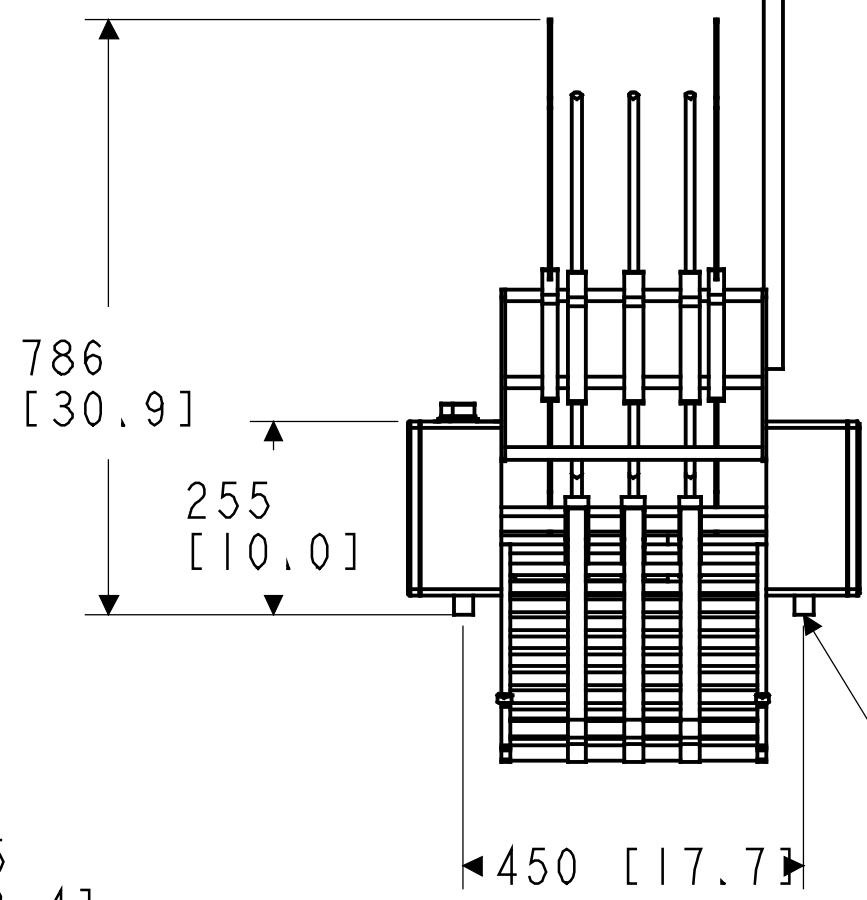
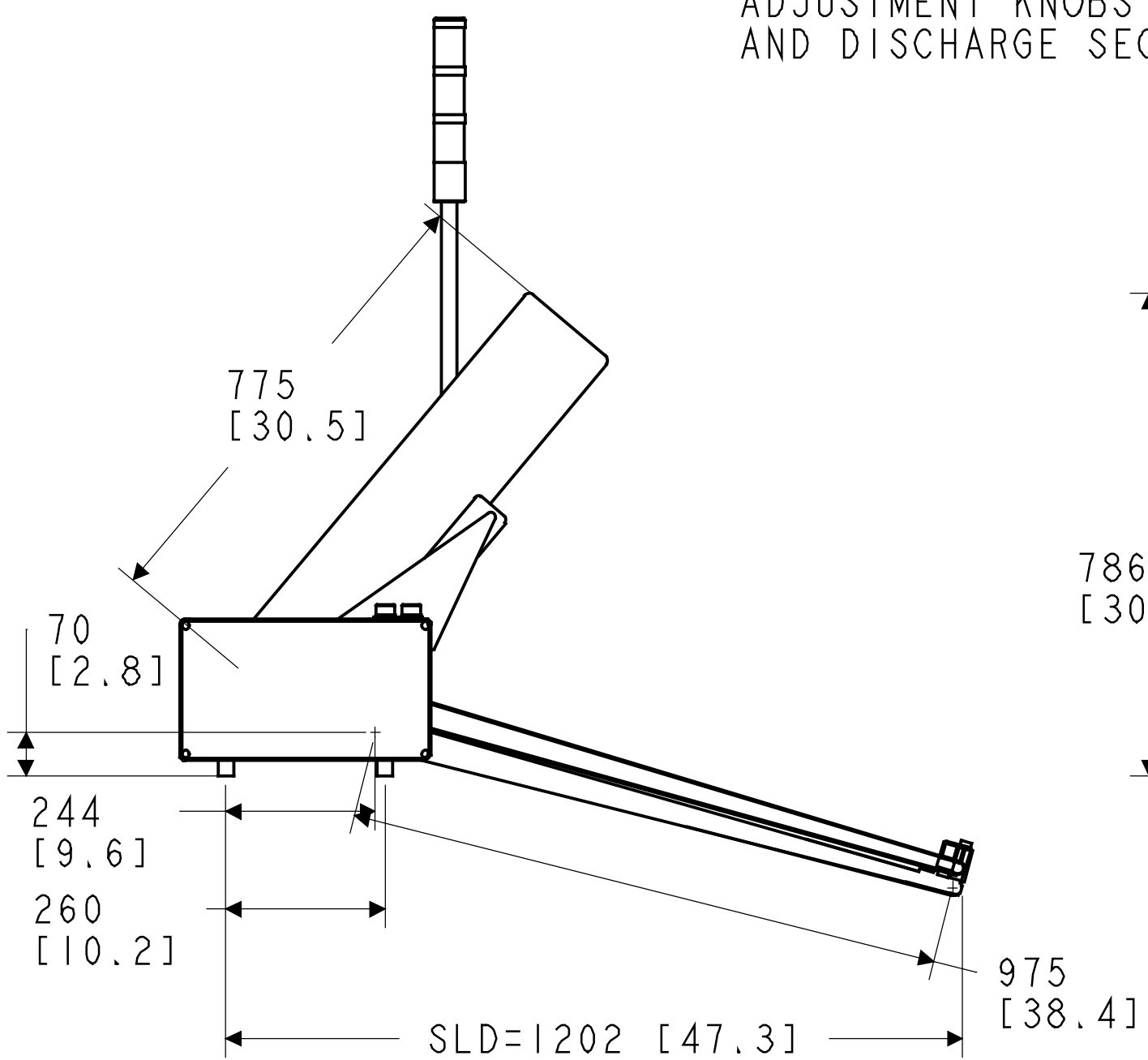
MEMBRANE KEYPAD  
 WITH LCD DISPLAY

EASY ADJUSTMENT OF  
 DISCHARGE ANGLE

(4) M8 BOLT HOLES



EASY ACCESSIBLE SINGLE PRODUCT THICKNESS  
 ADJUSTMENT KNOBS FOR PRODUCT SEPARTION  
 AND DISCHARGE SECTION



SD=433 [17.1"], ED = 524 [20.6]  
 XED = 695 [27.4"], XLD = 912 [35.9"]

UNLESS OTHERWISE SPECIFIED, DIMENSIONS ARE IN MILLIMETERS		<b>Multifeeder Technology, Inc.</b>	
TOLERANCES		St. Paul, Minnesota 55110	
DECIMALS		Phone 651.407.3100, www.multifeeder.com	
.X	± 1.25 [0.05"]	MFT3501PSLD	
.XX	± 0.25 [0.01"]	DRW NO: 791035-0A	REV: A
.XXX	± 0.05 [0.002"]	SCALE: 0.150	SHEET 1 OF 1
ANGULAR: .X ± 2.5°, .XX ± 0.5°			
DRAWN: J.R.	DATE: 08/16/04		
CHECKED: A.V.	DATE: 08/16/04		
DESIGN: A.V.	DATE: 08/16/04		

THIS DOCUMENT, SUBMITTED IN CONFIDENCE, CONTAINS PROPRIETARY AND CONFIDENTIAL INFORMATION WHICH SHALL NOT BE REPRODUCED OR TRANSFERED TO OTHER DOCUMENTS OR DISCLOSED TO OTHERS OR USED FOR MANUFACTURING OR ANY OTHER PURPOSE, INCLUDING ADVERTISING WITHOUT PRIOR WRITTEN PERMISSION FROM A MULTIFEEDER TECHNOLOGY, INC. REPRESENTATIVE