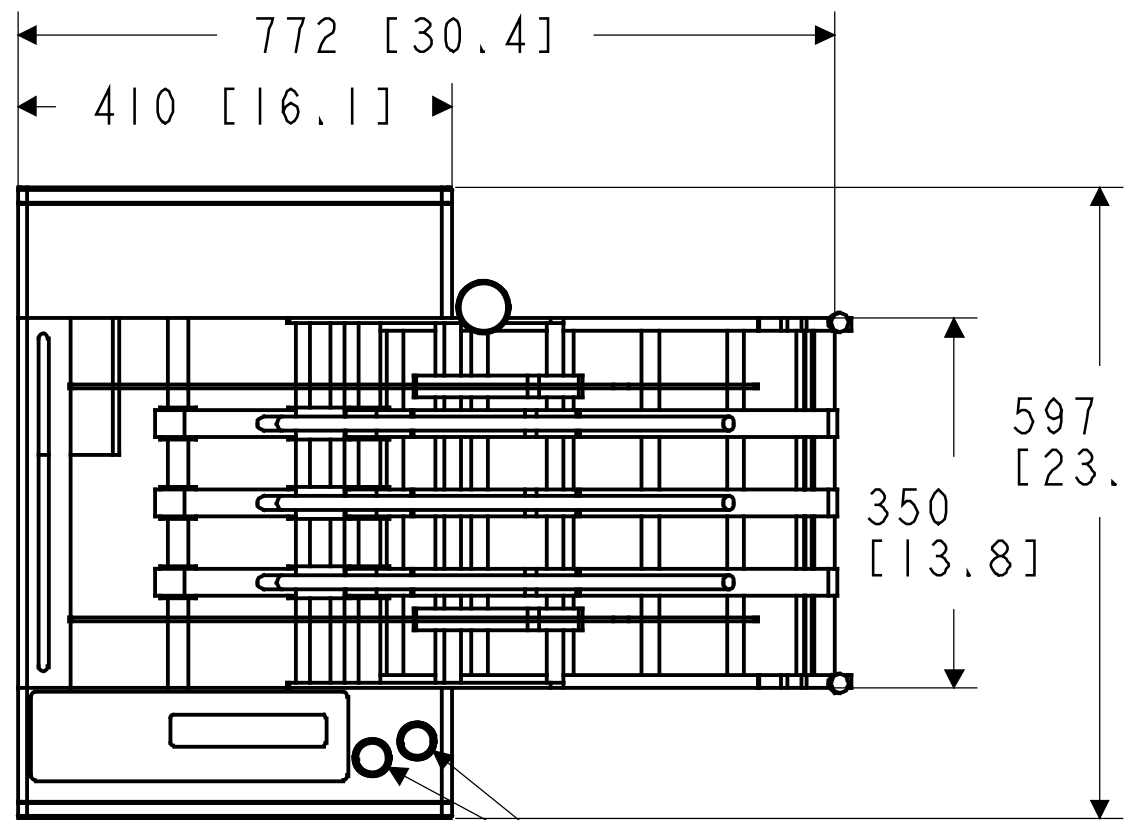


REVISIONS				
ZONE	REV	DESCRIPTION	DATE	DRAWN / APPROVED
ALL	1	ISSUED FOR REVIEW	08/18/04	J.R.
ALL	0	ISSUED FOR PRODUCTION	08/18/04	J.R./ A.V.
ALL	A	DIMENSIONS MODIFIED	06/14/05	R.P./A.V.



REAR SIGNAL INTERFACE:  
POWER ENTRY,  
START/STATUS,  
LOW PRODUCT,  
SERIAL, ETHERNET

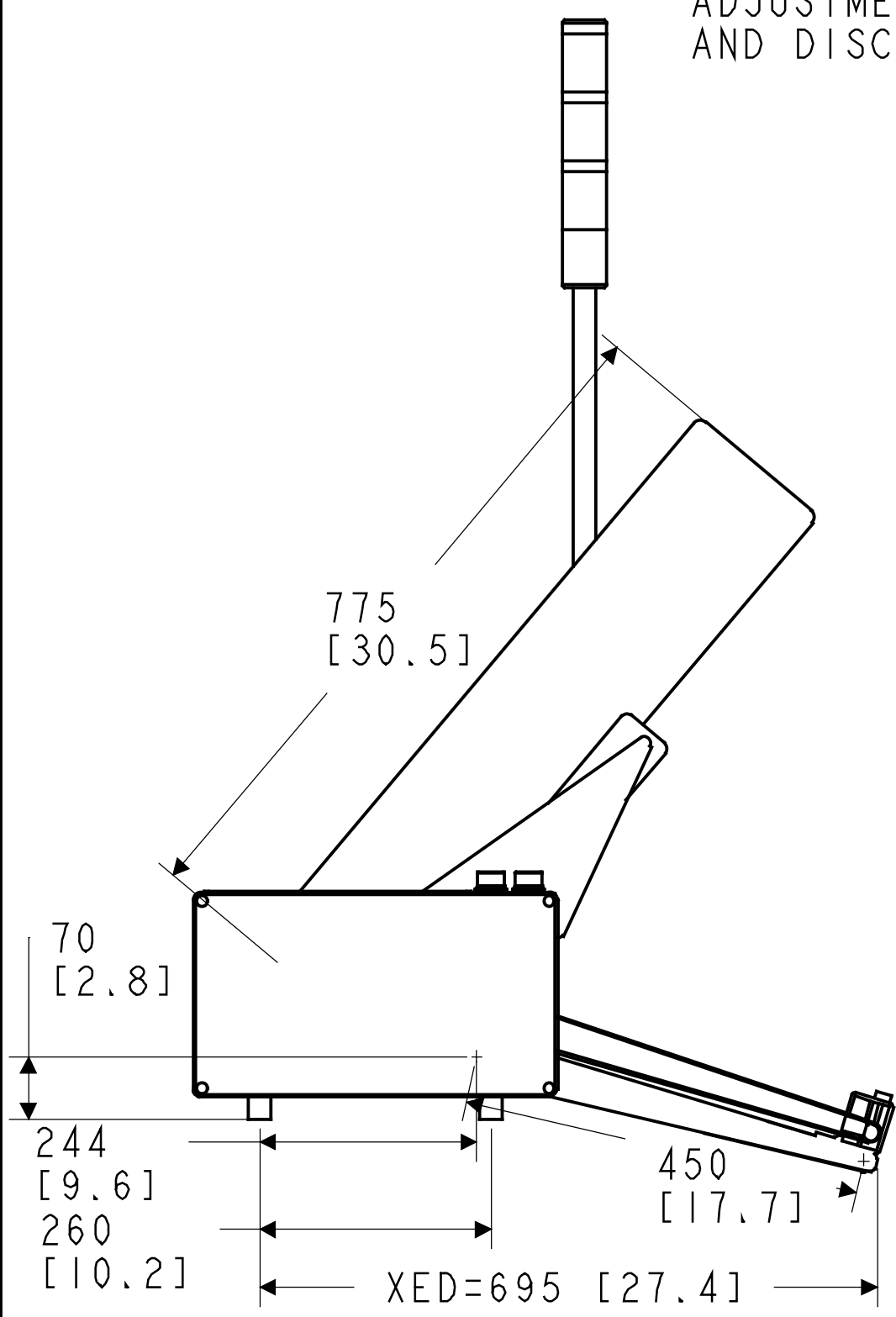
FRONT SIGNAL INTERFACE:  
PRODUCT SENSORS,  
INTERLOCK,  
SIGNAL LIGHT,  
LINE SPEED ENCODER,  
SERIAL PORTS,  
PARALLELL PORTS

EASY ACCESSIBLE SINGLE PRODUCT THICKNESS  
ADJUSTMENT KNOBS FOR PRODUCT SEPARTION  
AND DISCHARGE SECTION

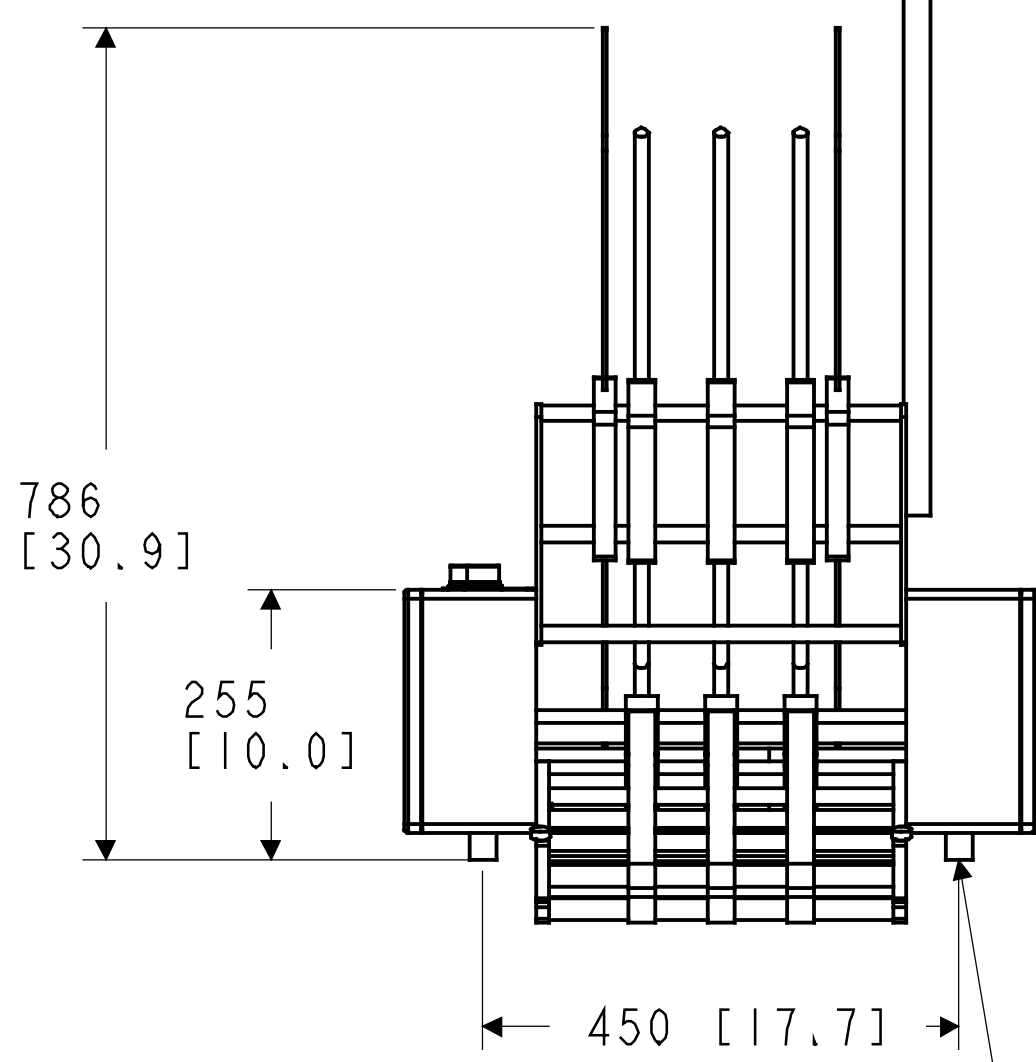
THREE COLOR SIGNAL LIGHT  
30" VERTICAL HEAVY DUTY  
PRODUCT MAGAZINE AND  
PRODUCT SUPPORT RODS  
WITH QUICK CHANGEOVER

MEMBRANE KEYPAD  
WITH LCD DISPLAY

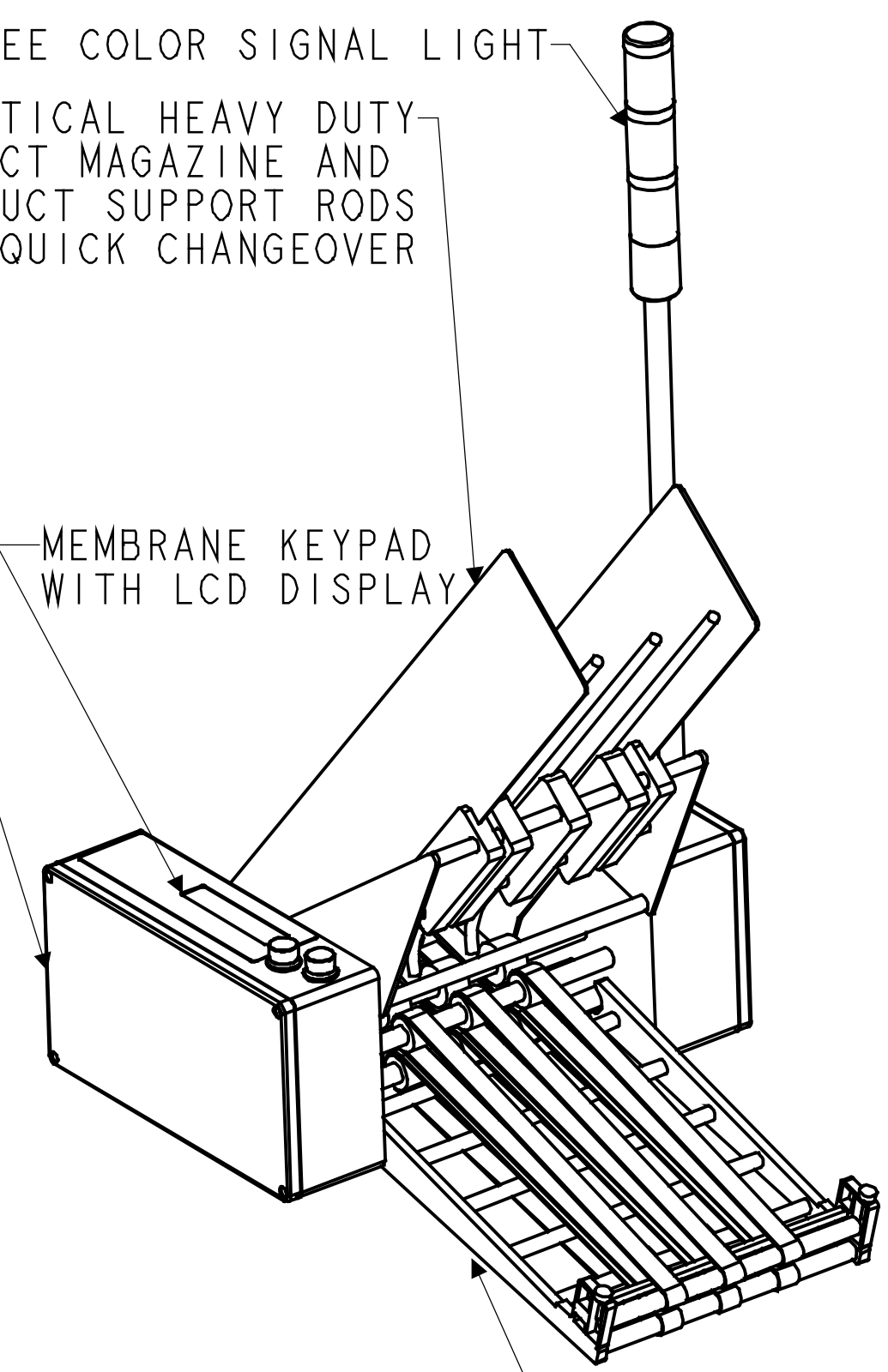
EASY ADJUSTMENT OF  
DISCHARGE ANGLE



SD = 433 [17.1"], ED = 524 [20.6"]  
XLD = 912 [35.9"], SLD = 1202 [47.3"]



(4) M8 BOLT HOLES



UNLESS OTHERWISE SPECIFIED,  
DIMENSIONS ARE IN MILLIMETERS

TOLERANCES  
DECIMALS  
.X ± 1.25 [0.05"]  
.XX ± 0.25 [0.01"]  
.XXX ± 0.05 [0.002"]  
ANGULAR: .X ± 2.5°, .XX ± 0.5°

**Multifeeder Technology, Inc.**  
St. Paul, Minnesota 55110  
Phone 651.407.3100, www.multifeeder.com

MFT350IPXED

DRAWN: J.R.	DATE: 08/16/04	SIZE: C	DWG NO: 791033-0A	REV: A
CHECKED: A.V.	DATE: 08/16/04	SCALE: 0.150	Q PER MACHINE	SHEET 1 OF 1
DESIGN: A.V.	DATE: 08/16/04			

THIS DOCUMENT, SUBMITTED IN CONFIDENCE, CONTAINS PROPRIETARY AND CONFIDENTIAL INFORMATION WHICH SHALL NOT BE REPRODUCED OR TRANSFERED TO OTHER DOCUMENTS OR DISCLOSED TO OTHERS OR USED FOR MANUFACTURING OR ANY OTHER PURPOSE, INCLUDING ADVERTISING WITHOUT PRIOR WRITTEN PERMISSION FROM A MULTIFEEDER TECHNOLOGY, INC. REPRESENTATIVE