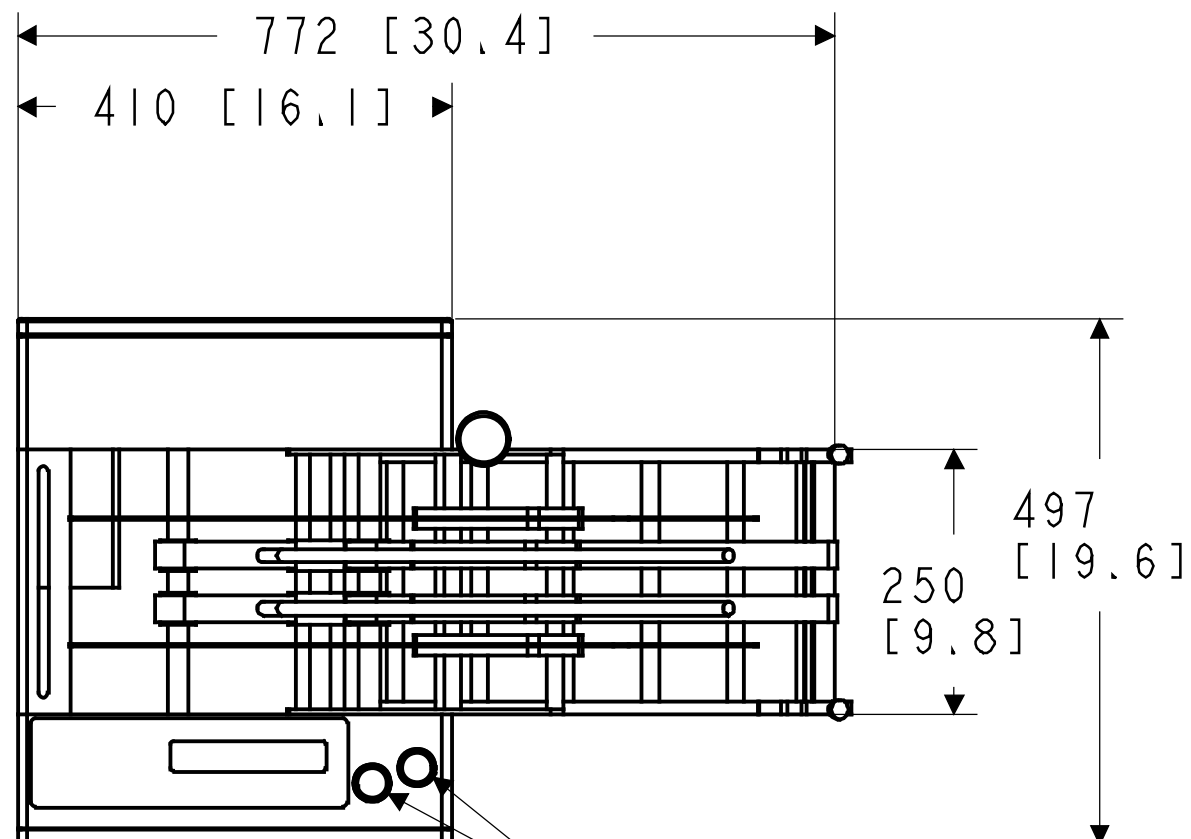


REVISIONS				
ZONE	REV	DESCRIPTION	DATE	DRAWN / APPROVED
ALL	1	ISSUED FOR REVIEW	08/18/04	J.R.
ALL	0	ISSUED FOR PRODUCTION	05/24/05	R.P./ A.V.
ALL	A	DIMENSTON MODIFIED	06/14/05	R.P./ A.V.



REAR SIGNAL INTERFACE:
POWER ENTRY,
START/STATUS,
LOW PRODUCT,
SERIAL, ETHERNET

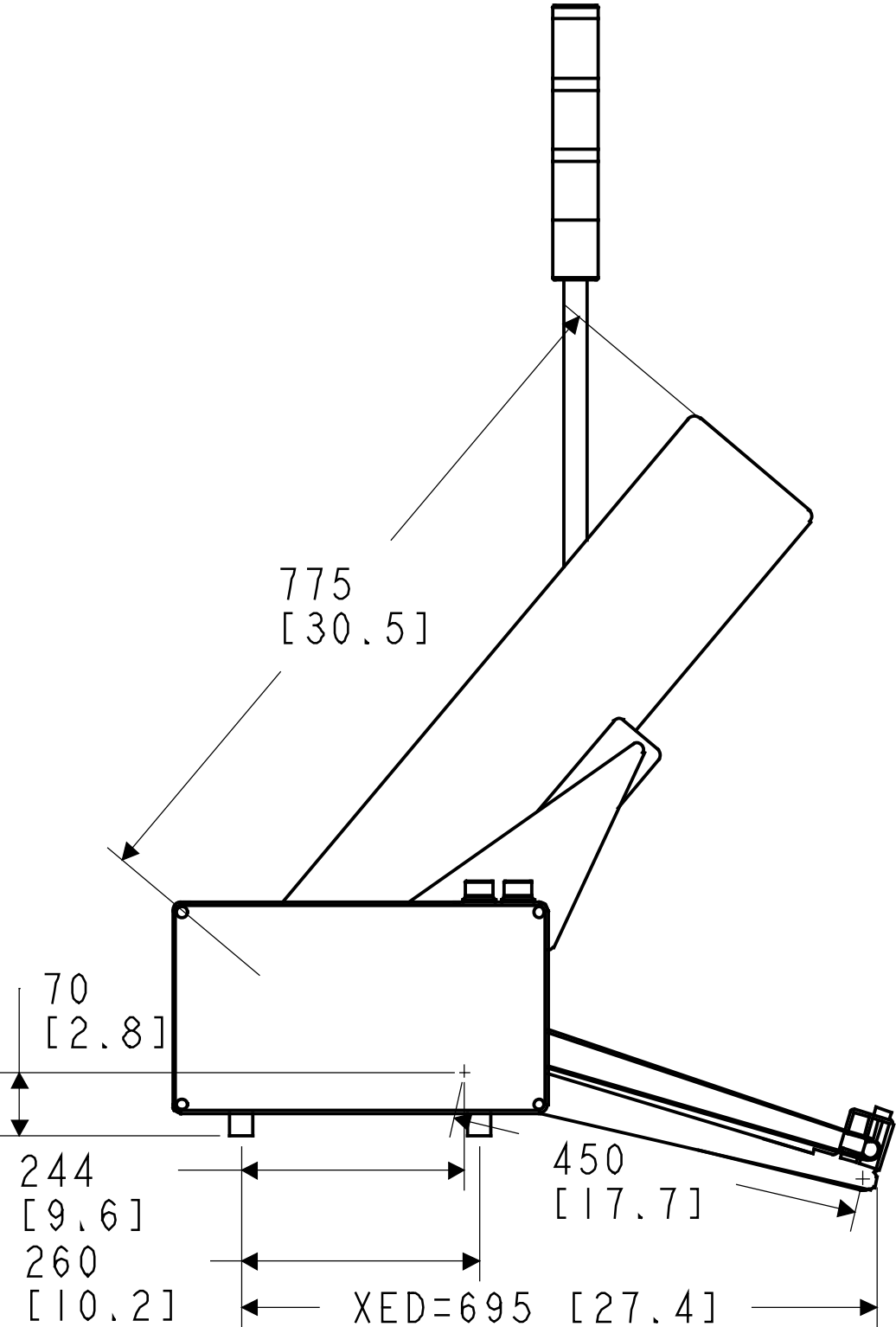
FRONT SIGNAL INTERFACE:
PRODUCT SENSORS,
INTERLOCK,
SIGNAL LIGHT,
LINE SPEED ENCODER,
SERIAL PORTS,
PARALLELL PORTS

EASY ACCESSIBLE SINGLE PRODUCT THICKNESS
ADJUSTMENT KNOBS FOR PRODUCT SEPARTION
AND DISCHARGE SECTION

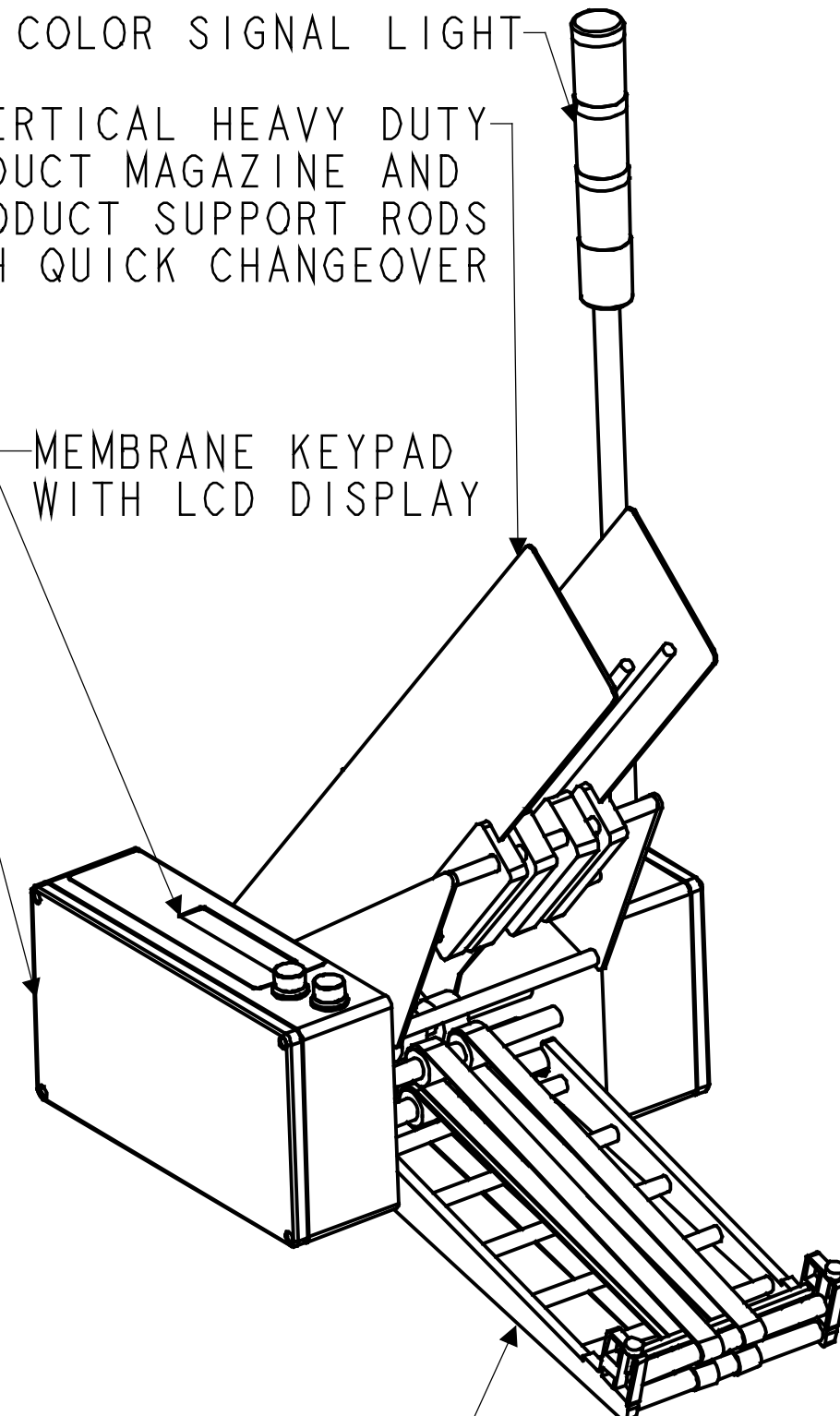
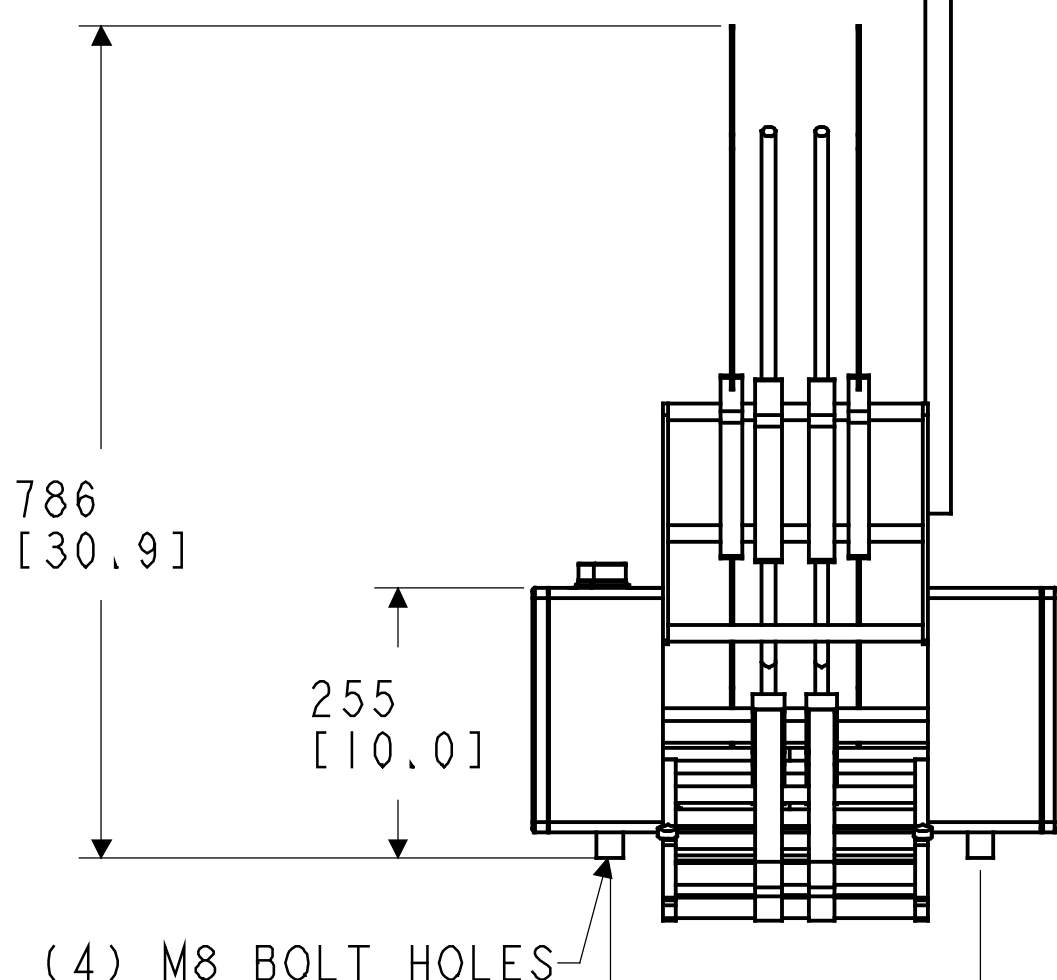
THREE COLOR SIGNAL LIGHT
30" VERTICAL HEAVY DUTY
PRODUCT MAGAZINE AND
PRODUCT SUPPORT RODS
WITH QUICK CHANGEOVER

MEMBRANE KEYPAD
WITH LCD DISPLAY

EASY ADJUSTMENT OF
DISCHARGE ANGLE



SD = 433 [17.1"], ED = 524 [20.6"]
XLD = 912 [35.9"], SLD = 1202 [47.3"]



UNLESS OTHERWISE SPECIFIED,
DIMENSIONS ARE IN MILLIMETERS
TOLERANCES
DECIMALS
.X ± 1.25 [0.05"]
.XX ± 0.25 [0.01"]
.XXX ± 0.05 [0.002"]
ANGULAR: .X ± 2.5°, .XX ± 0.5°

Multifeeder Technology, Inc.
St. Paul, Minnesota 55110
Phone 651.407.3100, www.multifeeder.com

DRAWN: R.P.	DATE: 08/16/04	SIZE: C	DWG NO: 791023-0A	REV: A
CHECKED: A.V.	DATE: 08/16/04	SCALE: 0.150	Q PER MACHINE	SHEET 1 OF 1
DESIGN: A.V.	DATE: 08/16/04			

THIS DOCUMENT, SUBMITTED IN CONFIDENCE, CONTAINS PROPRIETARY AND CONFIDENTIAL INFORMATION WHICH SHALL NOT BE REPRODUCED, COPIED, TRANSFERRED TO OTHER DOCUMENTS OR DISCLOSED TO OTHERS OR USED FOR MANUFACTURING OR ANY OTHER PURPOSE, INCLUDING ADVERTISING WITHOUT PRIOR WRITTEN PERMISSION FROM A MULTIFEEDER TECHNOLOGY, INC. REPRESENTATIVE