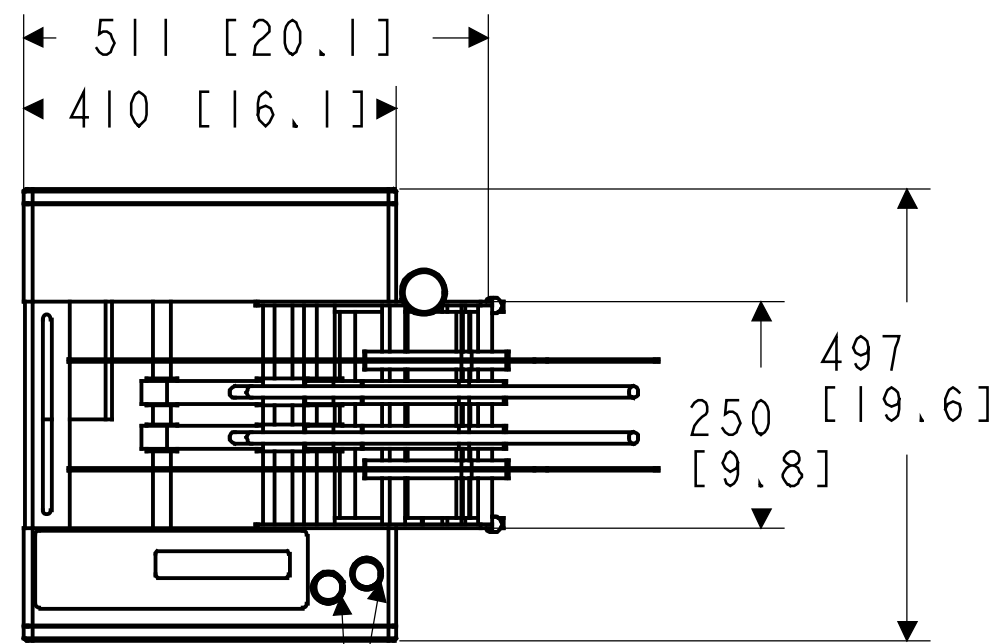


REVISIONS				
ZONE	REV	DESCRIPTION	DATE	DRAWN / APPROVED
ALL	I	ISSUED FOR REVIEW	08/18/04	J.R.
ALL	0	ISSUED FOR PRODUCTION	05/24/05	R.P./ A.V.
ALL	A	DIMENSIONS MODIFIED	06/14/05	R.P./ A.V.



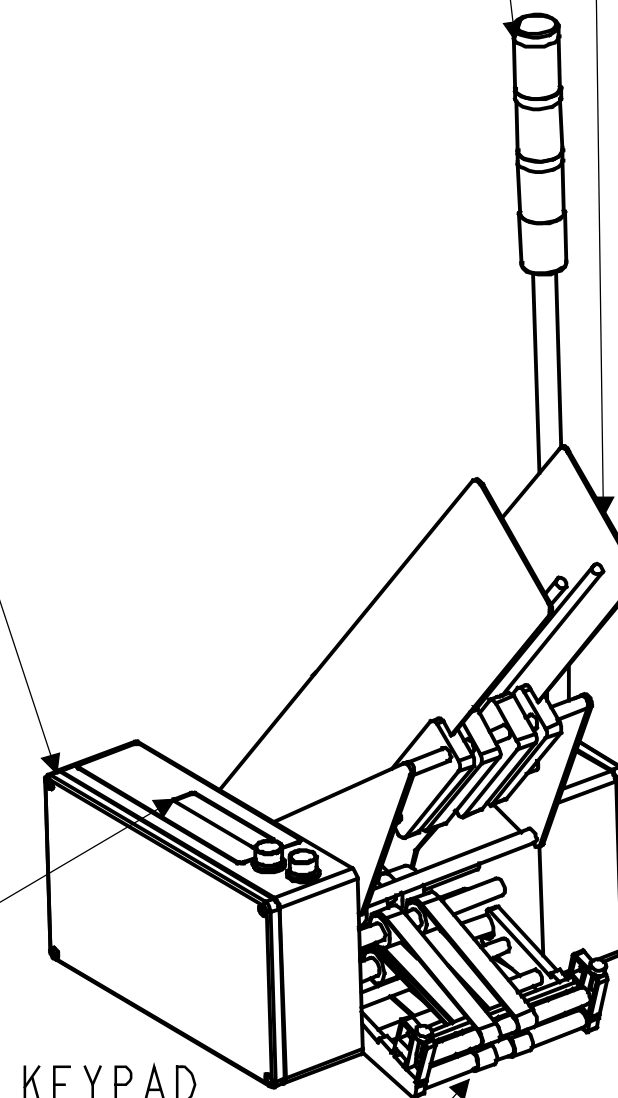
REAR SIGNAL INTERFACE:  
POWER ENTRY,  
START/STATUS,  
LOW PRODUCT,  
SERIAL, ETHERNET

FRONT SIGNAL INTERFACE:  
PRODUCT SENSORS,  
INTERLOCK,  
SIGNAL LIGHT,  
LINE SPEED ENCODER,  
SERIAL PORTS,  
PARALLELL PORTS

EASY ACCESSIBLE SINGLE PRODUCT THICKNESS  
ADJUSTMENT KNOBS FOR PRODUCT SEPARTION  
AND DISCHARGE SECTION

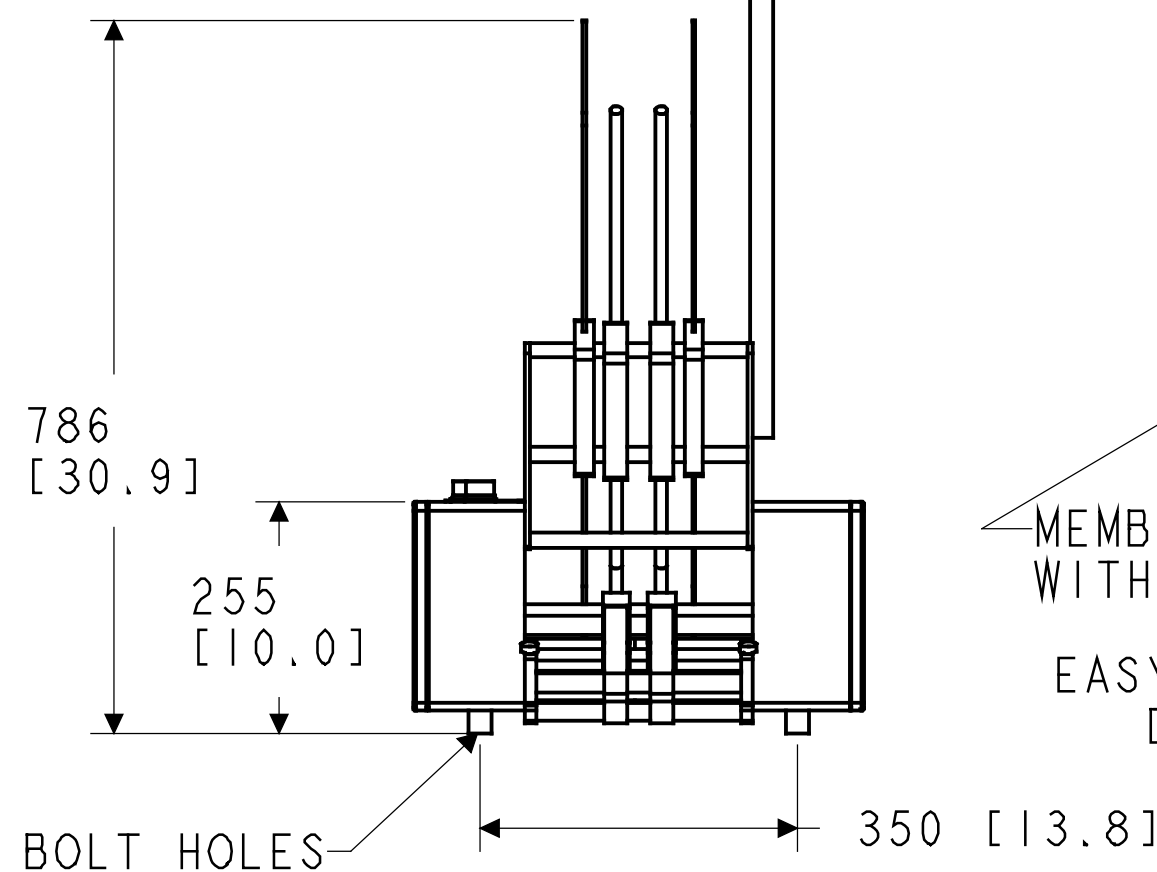
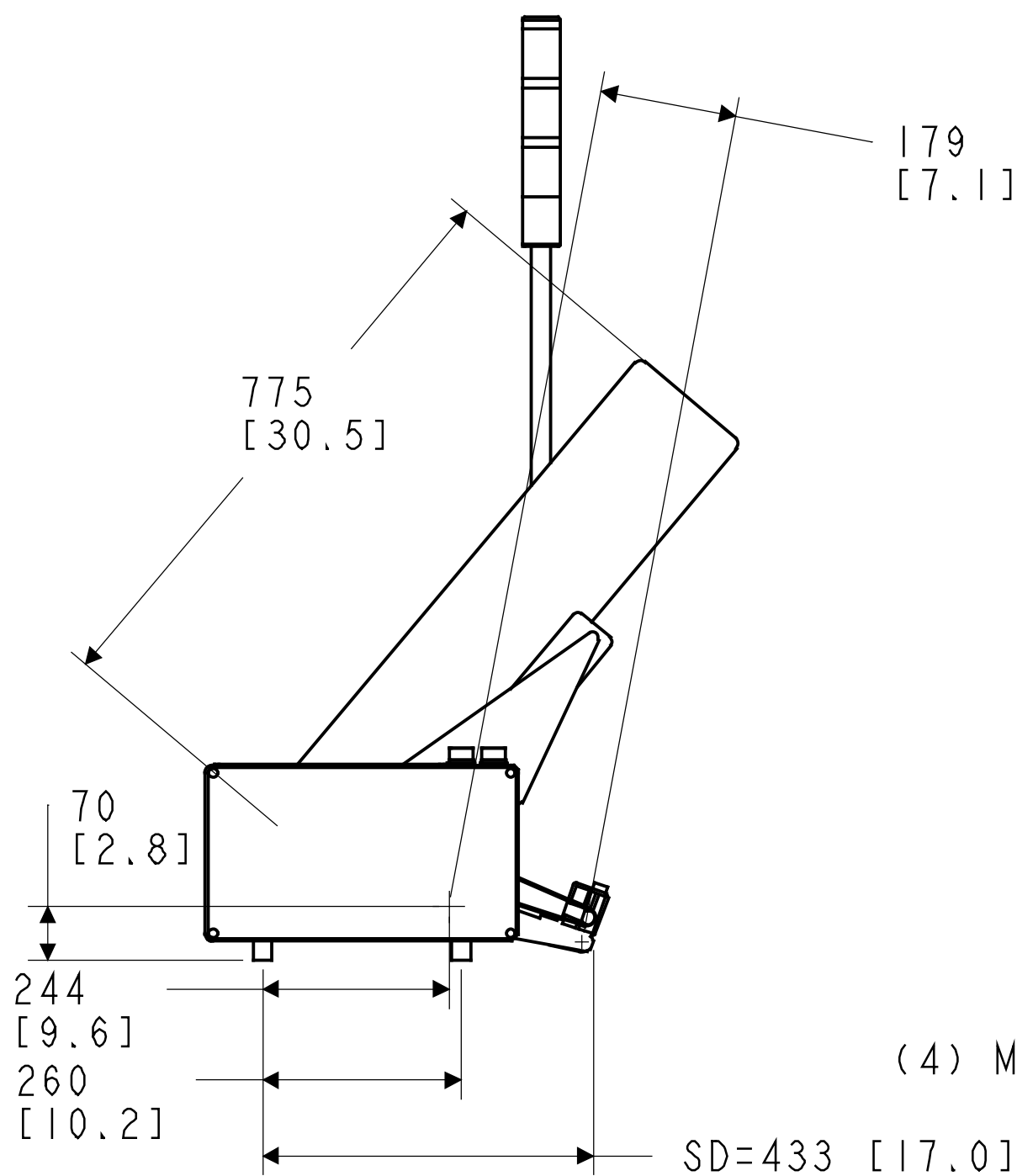
30" VERTICAL HEAVY DUTY  
PRODUCT MAGAZINE AND  
PRODUCT SUPPORT RODS  
WITH QUICK CHANGEOVER

THREE COLOR SIGNAL LIGHT



MEMBRANE KEYPAD  
WITH LCD DISPLAY

EASY ADJUSTMENT OF  
DISCHARGE ANGLE



ED = 524 [20.6"] , XED = 695 [27.4"]  
XLD = 912 [35.9"] , SLD = 1202 [47.3"]

THIS DOCUMENT, SUBMITTED IN CONFIDENCE, CONTAINS PROPRIETARY AND CONFIDENTIAL INFORMATION WHICH SHALL NOT BE REPRODUCED OR TRANSFERED TO OTHER DOCUMENTS OR DISCLOSED TO OTHERS OR USED FOR MANUFACTURING OR ANY OTHER PURPOSE, INCLUDING ADVERTISING WITHOUT PRIOR WRITTEN PERMISSION FROM A MULTIFEEDER TECHNOLOGY, INC. REPRESENTATIVE

UNLESS OTHERWISE SPECIFIED, DIMENSIONS ARE IN MILLIMETERS		<b>Multifeeder Technology, Inc.</b>	
TOLERANCES DECIMALS		St. Paul, Minnesota 55110	
.X	± 1.25 [0.05"]	Phone 651.407.3100, www.multifeeder.com	
.XX	± 0.25 [0.01"]	MFT250IPSD	
.XXX	± 0.05 [0.002"]	DRAWN: R.P. DATE: 08/16/04	
ANGULAR: .X ± 2.5°, .XX ± 0.5°		CHECKED: A.V. DATE: 08/16/04	SIZE: C
		DESIGN: A.V. DATE: 08/16/04	DWG NO: 791021-0A REV: A
		SCALE: 0.150	SHEET 1 OF 1